



**MEGALINEAR**



**MEGADYNE**

Introduction to open-end belts	<b>2</b>	MTD8	<b>54</b>
Classifications	<b>4</b>	MTD14	<b>56</b>
Technical calculation	<b>6</b>	RPP5	<b>58</b>
Linear motion calculation example	<b>8</b>	RPP8	<b>60</b>
Conveyor belt calculation example	<b>9</b>	RPP14	<b>62</b>
Calculation parameters	<b>10</b>	RPP14XP	<b>64</b>
Belt installation	<b>12</b>	STD5	<b>66</b>
Belt data		STD8	<b>68</b>
MXL	<b>14</b>	HG	<b>70</b>
XL	<b>16</b>	TG5	<b>72</b>
L	<b>18</b>	TG10	<b>74</b>
H	<b>20</b>	TG20	<b>76</b>
XH	<b>24</b>	ATG5	<b>78</b>
T2,5	<b>26</b>	ATG10	<b>80</b>
T5	<b>28</b>	ATG20	<b>82</b>
TT5	<b>30</b>	FLAT	<b>84</b>
T10	<b>32</b>	Fixing plates	<b>86</b>
T20	<b>38</b>	Positioning and transmission precision	<b>87</b>
AT3	<b>40</b>	Cleats	<b>88</b>
AT5	<b>42</b>	Cover properties	<b>94</b>
AT10	<b>44</b>	Special execution feasibility	<b>96</b>
AT20	<b>48</b>	Antistatic polyurethane timing belts	<b>97</b>
MTD3	<b>50</b>	Special execution photos	<b>98</b>
MTD5	<b>52</b>		

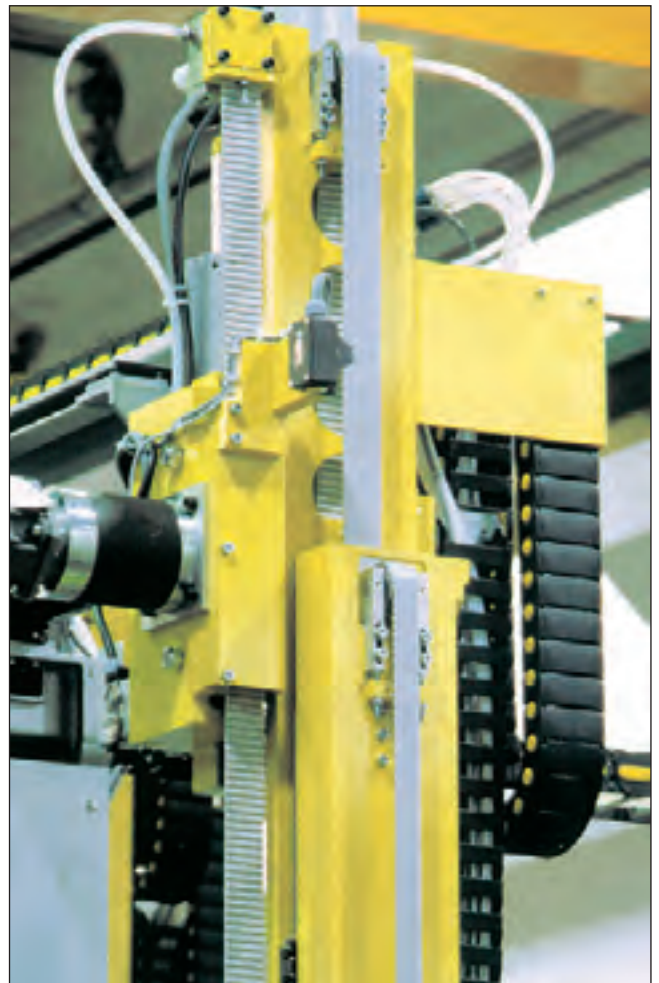
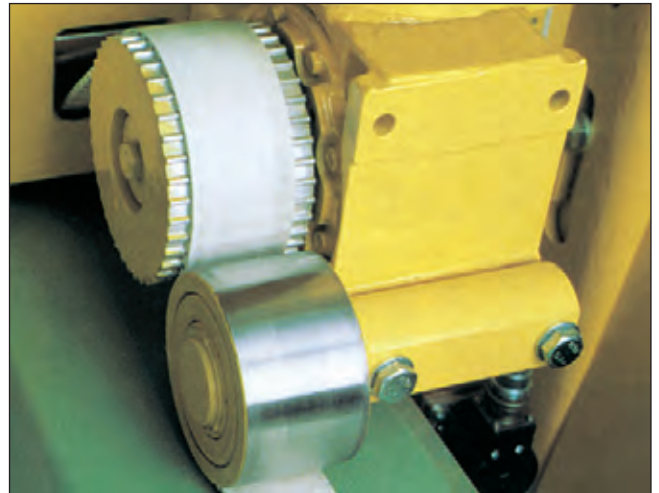
## INTRODUCTION TO OPEN-END BELTS

Megadyne commenced manufacturing transmission belts in 1957 and extruding open end belts in 1975. Megalinear open length belts are manufactured in thermoplastic polyurethane, that gives superior wear and abrasion resistance. Various grade of steel cords offer good running characteristics even with high tractive load.

Great production flexibility grant to designers possibility to match any technical requirement and solution.

By selecting different components and material, Megalinear belts can be manufactured to meet every customer requirement.

Megalinear open-end belts are particularly suitable for application where accuracy of positioning, low noise and free-maintenance are requested.

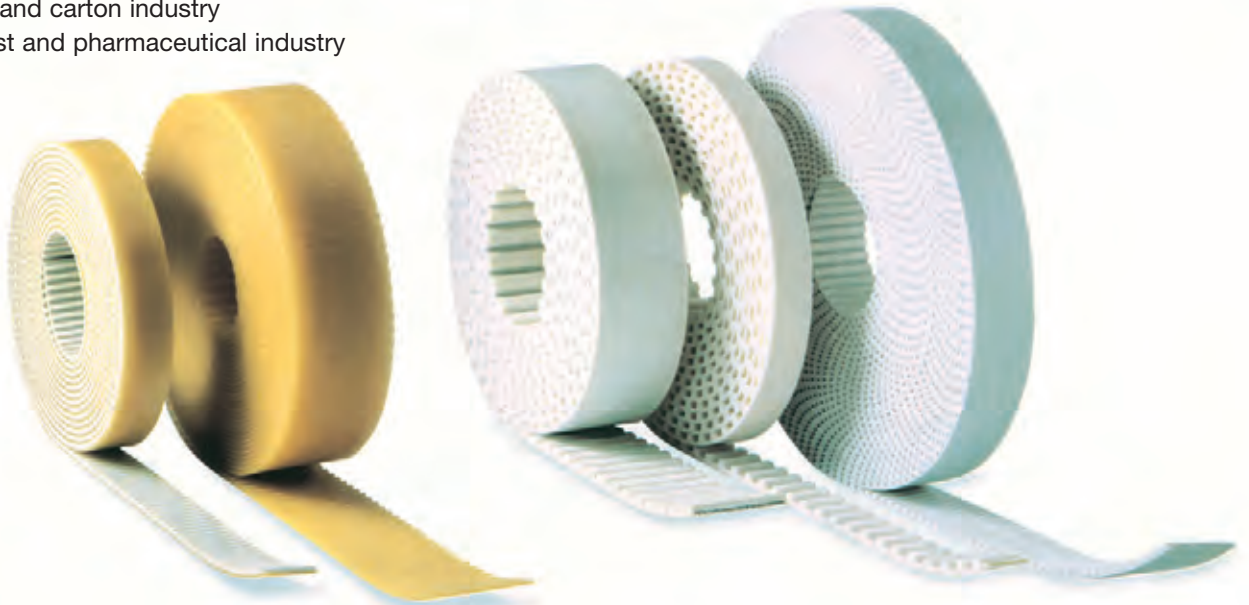
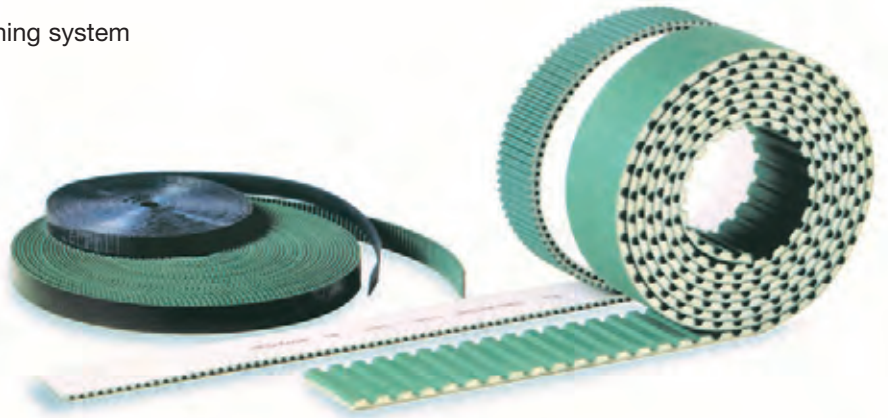




# INTRODUCTION TO OPEN-END BELTS

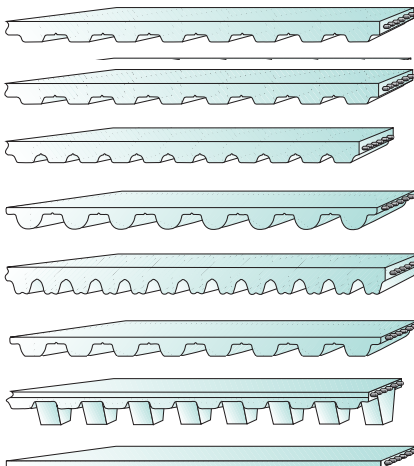
Thanks to their features, Megalineer belts can be successfully used in a wide range of application such as:

- conveyors
- automatic sliding doors and garage opening system
- elevators
- automated handling devices
- linear drivers
- positioning system
- wood industry
- textile machine
- serigraphic industry
- glass industry
- stone and marble industry
- packaging industry
- robot systems
- tobacco industry
- paper and carton industry
- chemist and pharmaceutical industry



Megadyne has developed a very wide range of solutions with numerous tooth designs, tensile members and compound, suitable for all applications.

## STANDARD RANGE



**MXL • XL • L • H • XH**

**T2,5 • T5 • TT5 • T10 • T20**

**AT3 • AT5 • AT10 • AT20**

**MTD3 • MTD5 • MTD8 • MTD14**

**RPP5 • RPP8 • RPP14 • RPP14XP**

**STD5 • STD8**

**HG • TG5 • TG10<sub>K6</sub> • TG10<sub>K13</sub> • TG20 • ATG5 • ATG10 • ATG20**

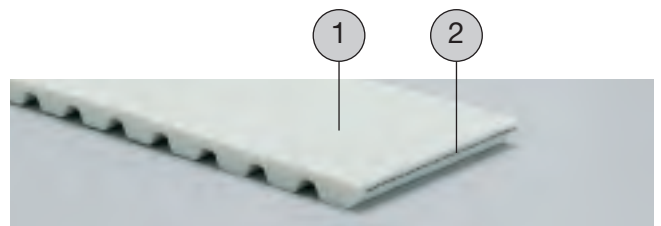
**P1 • P2 • P4**

# CLASSIFICATIONS

## CLASSIFICATIONS

Megalinear Timing Belts are manufactured in thermoplastic polyurethane, with single parallel steel cords. This type of belts, developed by our Research & Development, offers good running characteristics and high traction loads. They are especially suited for power transmission and conveying with high loads and speeds. The addition of a nylon coating on the teeth during production enhances the running properties for specific applications and reduces the noise due to a lower frictional coefficient. An extra thickness of special coating is also possible on the back of the belt offering extra protection against aggressive or heavy products.

- 1) The body of the belts is white thermoplastic polyurethane 92 ShA, characterized by high levels of wear resistance even in the presence of shock and surge loading.
- 2) High strength S and Z parallel zinked steel tension members allow high breaking load and extremely low elongation. The combination of these high grade materials improves belt performances which can be summarised as follows:
  - exceptional resistance to abrasion and tooth shear
  - low coefficient of friction
  - high flexibility
  - ozone and temperature resistance (-25 °C / +80 °C)
  - oil, grease and gasoline resistance



## MECHANICAL AND CHEMICAL CHARACTERISTICS

- Constant dimensions
- Noiseless
- Free maintenance
- High flexibility
- High resistance steel traction cords, with little stretching and top flexibility
- Linear speeds up to 70 m/s
- Low pretension
- Constant length
- High abrasion resistance
- Ageing, Hydrolysis, Ozone resistant
- Working temperature -25 °C / +80 °C
- High resistance to Oils, Greases and Gasoline
- Fairly Acid-proof and Alkali-proof

### BODY

Megalinear belts are manufactured with white thermoplastic Polyurethane 92 ShA as standard. Special compounds (different hardnesses, special properties) are available on request. Special compound and cords have to be tested and homologated on the application. Megadyne is not responsible for wrong functioning of special products. Here under some PU characteristics:

<b>Water</b>	No problem in normal or sea clean water, at room temperature. Over 60 °C there is a fast decrement of breaking strength.
<b>Acids</b>	In acid diluted proportions, at room temperature, this PU is moderately attacked. In high concentration acid solutions, this PU has a very short lifespan. Over 50 °C, acids are always dangerous for Thermoplastic PU.
<b>Alkalis</b>	In alkalis diluted proportions, at room temperature, this PU is moderately attacked. In high concentration acid solutions, this PU has a very short lifespan. Over 50 °C, acids are always dangerous for Thermoplastic PU.
<b>Solvents</b>	Thermoplastic PU is insoluble in the greater part of solvents. Only the very polar solvents (same as tetrahydrofuran, dimethylformamide, n-methylpyrrolidone) can dissolve or tight damage PU. The Esters or the Ketons (same as ethyl acetate or methylethylketene) can usually produce a bulge, decreasing mechanical characteristics. The Hydrocarbons aromatic and the Hydrocarbons aliphatic produce very high bulge. All the effects increase by increasing temperature.
<b>Oils</b>	PU has a high resistance to mineral pure oils (lubrificants, engine oils, combustible oils). Usually, high performance syntetic oils, due to special additives contained, can be incompatible with Thermoplastic PU, especially at high temperature.

<b>Greases</b>	PU has a high resistance to mineral pure greases (lubrificants greases). Usually, high performance syntetic greases, due to special additives contained, can be incompatible with Thermoplastic PU, especially at high temperature.
<b>Fuels</b>	Good resistance to petrols without Alcohols. In presence of Alcohols, Thermoplastic PU can suffer deterioration. Fuels including Aromatiche stuffs can produce reversible bulges.
<b>Microorganisms</b>	In presence of grime, containing humidity, Microorganisms can develop. In case that Microbic attack can produce danger, you have to use a special kind of PU.
<b>Weather agents</b>	Good resistance to atmospheric agents. White colour can change to light yellow under long UV exposure. In any case this hasn't influence on mechanical resistance.

## CORDS

<b>Standard cord</b>	Megalinear is manufactured with S and Z parallel zinked steel cords as standard.
<b>Kevlar</b>	Kevlar tension cords are suggested for: <ul style="list-style-type: none"> <li>• Non magnetic, for use in drives with metal detectors</li> <li>• Widely used in the food industry</li> </ul>
<b>HP</b>	High Performance cords have 25% more strength capacity than standard cords. They are recommended for high repeatability applications.
<b>HF</b>	High Flexibility cords can accept smaller pulley and idler diameters than standard cords. They are suitable for multi-shaft drives with severe reverse bending.
<b>HPF</b>	High Performance and Flexibility cords have 25% more strength capacity like the HP cords, but they are more flexible than the HP cords. They are suggested for high performance and multi-shaft drives.
<b>Stainless steel</b>	Stainless steel cords have 25% less strength capacity than standard cords. They are recommended for water applications.

## COATING

Megalinear can be manufactured with special coating on the teeth or on the back. Please check on page 94 and 95.

## IDENTIFICATION CODE

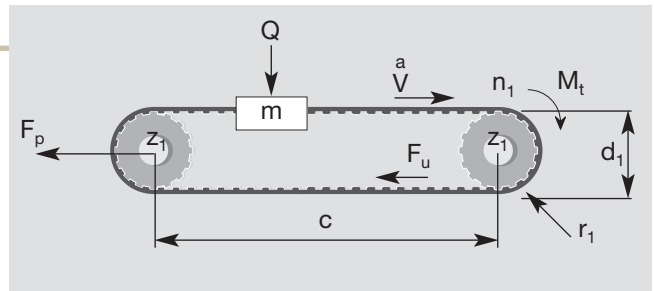
Using the information in the table below, it is possible to identify the correct belt for every application. The code is composed of letters and numbers as the following example:

1	2	3	4	5	6					
<b>J</b>	<b>+</b>	<b>50</b>	<b>+</b>	<b>AT</b>	<b>+</b>	<b>10</b>	<b>+</b>	<b>10000</b>	<b>+</b>	<b>SPECIAL MANUFACTURES</b>

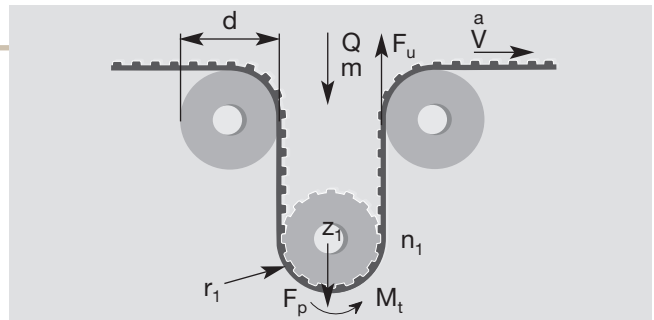
- 1) **J** joined belt.
- ML** Megalinear belt open-end.
- 2) **50** this number indicates the width of requested belt. The value is in mm for a belt with a pitch in mm, and in inches for a belt with a pitch in inches.
- 3) **AT** this code composed by letters indicates the selection of profile.
- 4) **10** this number indicates the standard pitch of the belt. It is expressed in mm.
- 5) **10000** the last number indicates the length of the belt always in mm regardless of pitch.
- 6) **SPECIAL MANUFACTURES:**
  - special cords as Kevlar or HP or HF or HPF or stainless steel
  - special compound as different hardness 85 ShA or different colours (black - red - yellow - blue)
  - extra coating NFT or NFB or AVAFC or Tenax or Linatex or Honey comb or PU black cellulose or PU yellow or Neoprene rubber.

# TECHNICAL CALCULATION

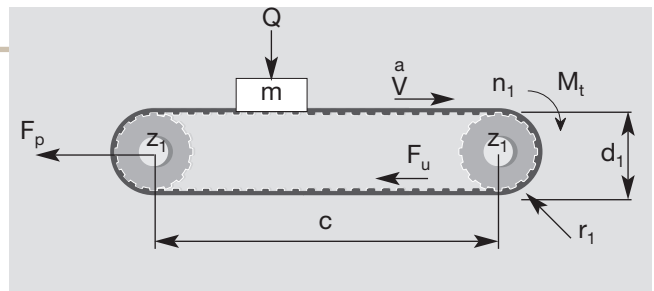
## LINEAR MOTION BELT



## OMEGA LINEAR MOTION BELT



## CONVEYOR BELT



The following pages contain data, formulae and tables that are required to design a new belt drive. For critical and difficult drives, it is recommended that you contact your supplier's Technical Staff for advice.

Symbol	Unit	Definition	Symbol	Unit	Definition
<b>a</b>	m/s <sup>2</sup>	acceleration	<b>g</b>	m/s <sup>2</sup>	gravity (9,81)
<b>b</b>	mm	belt width	<b>μ</b>	-	friction coefficient
<b>C<sub>s</sub></b>	-	safety factor	<b>m</b>	Kg	conveyed mass
<b>Δl/∞</b>	%	elongation	<b>M<sub>t</sub></b>	Nm	drive torque
<b>d</b>	mm	idler pitch diameters	<b>n<sub>1</sub></b>	1/min	revs/min (RPM) of drive sprocket 1
<b>d<sub>1</sub></b>	mm	sprocket pitch diameter	<b>P</b>	KW	drive power
<b>F<sub>p</sub></b>	N	pretension	<b>Q</b>	N	force exerted by mass (m)
<b>F<sub>u</sub></b>	N	peripheral force	<b>V</b>	m/s	belt speed
<b>F<sub>p spec</sub></b>	N/cm	transmittable force per tooth per unit width	<b>Z<sub>1</sub></b>		number of teeth of sprocket
<b>MTL</b>	N	max traction load	<b>Z<sub>m</sub></b>		number of teeth in mesh on driver sprocket (12)
<b>BS</b>	N	breaking strength	<b>Z<sub>L</sub></b>		number of teeth of large pulley
<b>c</b>	mm	centre distance	<b>Z<sub>s</sub></b>		number of teeth of small pulley
			<b>p</b>		belt pitch

Max traction load is maximum acceptable traction on cords.  
 Breaking strength is necessary load to break belt cords.  
 Elongation is belt elongation under load.

### USEFUL FORMULAE AND CONVERSION FACTORS

$$V = \frac{d_1 \cdot n_1}{19100} \quad n_1 = \frac{V \cdot 19100}{d_1} \quad d_1 = \frac{V \cdot 19100}{n_1} \quad Q = m \cdot g$$

$$P = \frac{M_t \cdot n_1}{9550} \quad M_t = \frac{9550 \cdot P}{n_1} \quad M_t = \frac{F_u \cdot d_1}{2000}$$

## CHOICE OF BELT PITCH AND SPROCKETS

For optimum belt pitch see tables on page 10.

For optimum choice of sprocket size, it is desirable to have as near to 12 teeth in mesh as possible.

## CALCULATION OF THE PERIPHERAL FORCE ON THE TIMING BELT

known mass	→ For horizontal & conveying drives	$F_u = (m \cdot a) + (m \cdot g \cdot \mu)$
	(Note: values of $\mu$ can be found in table 1 on page 11).	
	→ For vertical drives	$F_u = (m \cdot a) + (m \cdot g)$
known drive torque		$F_u = 2000 M_t / d_1$
known drive power		$F_u = 19.1 \cdot 10^6 \cdot P / (d_1 \cdot n_1)$

## DETERMINATION OF THE BELT WIDTH

The belt width  $b$  should be calculated using the following formula

$$b = (F_u \cdot C_s \cdot 10) / (F_{p \text{ spec}} \cdot Z_m)$$

$C_s$  = safety factor from page 11 table 4

$F_u$  = from above calculation

$Z_m$  = number of teeth in mesh on driver sprocket

$$Z_m = [0,5 - \frac{4 \cdot P}{79 \cdot C}] (Z_L - Z_s) \cdot Z_s$$

= (if calculated  $Z_m > = 12$  for an open-end application  
use  $Z_m = 12$ )

= (if calculated  $Z_m > = 6$  for a joined application  
use  $Z_m = 6$ )

$F_{p \text{ spec}}$  = transmittable force per tooth per unit width (see table on belt data pages)

## PRE-TENSIONING

The suggested installation tension:

$F_p = 2 \cdot F_u$  for linear and omega linear movement applications

$F_p = F_u$  for conveyor applications

## CORD CHECK

The maximum allowable tensile load of the belt pitch/width combination selected (see tables on belt data pages):

$$\text{max traction load of chosen belt} > \frac{F_p}{2} + (F_u \cdot C_s)$$

## SPROCKET AND IDLER DIAMETER CHECK

Ensure that all selected pulley and idler diameters are equal to or greater than the minimum values specified in corresponding belt data page.

## ELONGATION

When the belt is operating there will be an elongation proportional to max traction load:

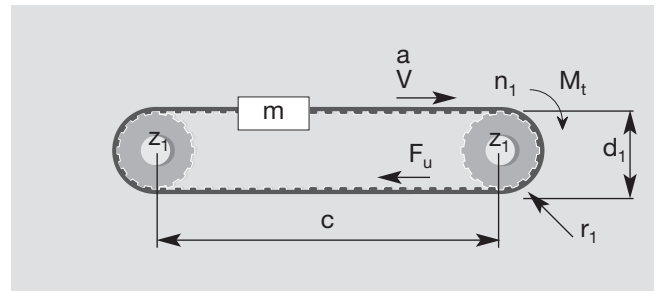
$$\Delta l_{00} = (F_u \cdot 4) / \text{max traction load}$$



# LINEAR MOTION CALCULATION EXAMPLE (OPEN-END BELT)

## MACHINE DATA

$C = 2.000 \text{ mm}$   
 $d_1 = 76 \text{ mm}$   
 $n_1 = 300 \text{ RPM}$   
 $P = 1,8 \text{ KW}$   
 low fluctuating load



## CHOICE OF BELT PITCH AND SPROCKETS

According to the belt pitch selection table n.1 on page 10 considering the values of  $P$  and  $n_1$ , we select RPP8 belt. Then we consider the pulley diameter nearest to the requested value and the corresponding  $n$ . of teeth (see technical information on page 61). Therefore  $Z_1 = 30$  teeth (with a pitch diameter of 76,4 mm).

## CALCULATION OF THE EFFECTIVE TENSION

Since the drive power is known,  $F_u$  can be calculated

$$F_u = \frac{19,1 \cdot 10^6 \cdot P}{d_1 \cdot n_1} = \frac{19,1 \cdot 10^6 \cdot 1,8}{76,4 \cdot 300} = 1500 \text{ N}$$

## DETERMINATION OF THE BELT WIDTH

$$b = \frac{F_u \cdot C_s \cdot 10}{F_{p \text{ spec}} \cdot Z_m}$$

$$b = \frac{1500 \cdot 1,4 \cdot 10}{62 \cdot 12} = 28,2 \text{ mm}$$

$F_u$  = from before (1500 N)  
 $C_s$  = from page 11 table 4, for low fluctuating load  $C_s = 1,4$   
 $Z_m$  = given that driver pulley has 30 teeth and  $n$ . of teeth in mesh = 15 but max  $Z_m$  is 12, then  $Z_m = 12$   
 $n_1 = 300 \text{ RPM}$  (given)  
 $F_{p \text{ spec}} = 62 \text{ N / cm}$  (refer page 60 at 300 RPM)

Since the next closest width is 30 mm: 30 RPP8 is chosen.

## PRE-TENSIONING

$$F_p = 2 \cdot F_u \quad F_p = 3000 \text{ N}$$

## CORD CHECK

From page 60, RPP8 pitch 30 mm wide: max traction load 4510 N

$$\text{max traction load} > \frac{F_p}{2} + (F_u \cdot C_s) \quad \frac{F_p}{2} + (F_u \cdot C_s) = 1500 + 1500 \cdot 1,4$$

4510 N > 3600 N selected belt is acceptable.

## SPROCKET AND IDLER DIAMETER CHECK

Ensure that all selected pulley and idler diameters are greater than or equal the minimum values specified on page 61.

## ELONGATION

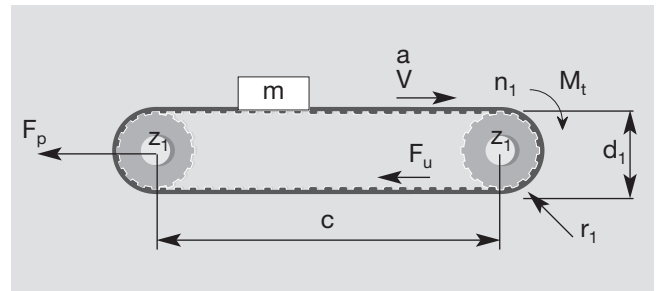
$$\Delta l / l_0 = \frac{F_u \cdot 4}{\text{max traction load}} = \frac{1500 \cdot 4}{4510} = 1,33 \text{ mm/m}$$

In the dynamic situations you will have an elongation of 1,33 mm per meter of operating belt.

# CONVEYOR BELT CALCULATION EXAMPLE (JOINED BELT)

## MACHINE DATA

$C = 5.000 \text{ mm}$   
 $d_1 = 100 \text{ mm}$   
 $V = 0,5 \text{ m/s}$   
 $a = 0,5 \text{ m/s}^2$   
 Guide in nylon  
 $Q = 7000 \text{ N}$   
 low fluctuating load



## CALCULATION OF THE EFFECTIVE TENSION

Since the mass is known,  $F_u$  can be calculated  $F_u = (m \cdot a) + (m \cdot g \cdot \mu)$  value of  $\mu$  according to table 3 on page 11 = 0,35

$$F_u = (714 \cdot 0,5) + (714 \cdot 9,81 \cdot 0,35) = 2808 \text{ N}$$

$$m = Q/g = 7000 / 9,81 = 714 \text{ kg}$$

## CHOICE OF BELT PITCH AND SPROCKETS

According to the belt selection table n. 2 on page 10, considering the values of  $F_u$  (for joined belts enter double of calculated  $F_u$  in table 2), we select AT 10. Then we consider the pulley diameter nearest to the requested value and the corresponding n. of teeth (see technical information page 45). Therefore  $Z_1 = 32$  teeth (with a pitch diameter of 101,86 mm).

## DETERMINATION OF THE BELT WIDTH

$$b = \frac{F_u \cdot C_s \cdot 10}{F_{p \text{ spec}} \cdot Z_m}$$

$$b = \frac{2808 \cdot 1,4 \cdot 10}{69 \cdot 6} = 94,95 \text{ mm}$$

$F_u =$  from before (2808 N)  
 $C_s =$  from page 11 table 4, for low fluctuating load  $C_s = 1,4$   
 $Z_m =$  given that driver pulley has 32 teeth and n. of teeth in mesh = 16 but max  $Z_m$  for joined belt is 6, hence,  $Z_m = 6$   
 $n_1 = (Vp \cdot 60.000) / (\pi \cdot d_1)$   
 $= (0,5 \cdot 60.000) / (\pi \cdot 101,86)$  as  $d_1 = 101,86$  from before  
 $= 99 \text{ RPM}$   
 $F_{p \text{ spec}} = 69 \text{ N / cm}$  (refer page 44, at 100 RPM)

Since the next closest width is 100 mm: 100 AT10 is chosen.

## PRE-TENSIONING

$F_p = F_u$  so  $F_p = 2808 \text{ N}$

## CORD CHECK

From page 44, AT10 pitch 100 mm wide joined: max traction load 8312,5 N

$$\text{max traction load} > \frac{F_p}{2} + (F_u \cdot C_s) \quad \frac{F_p}{2} + (F_u \cdot C_s) = \frac{2808}{2} + (2808 \cdot 1,4)$$

8312,5 N > 5335 N selected belt is acceptable.

## SPROCKET AND IDLER DIAMETER CHECK

Checking technical data on page 45 for pulley and idlers, it can be seen that the drive has acceptable pulley diameters.

## ELONGATION

$$\Delta l / l_0 = \frac{F_u \cdot 4}{\text{max traction load}} = \frac{2808 \cdot 4}{8312,5} = 1,35 \text{ mm/m}$$

In the dynamic situations you will have an elongation of 1,35 mm per meter of operating belt.

# CALCULATION PARAMETERS

## BELT PITCH SELECTION

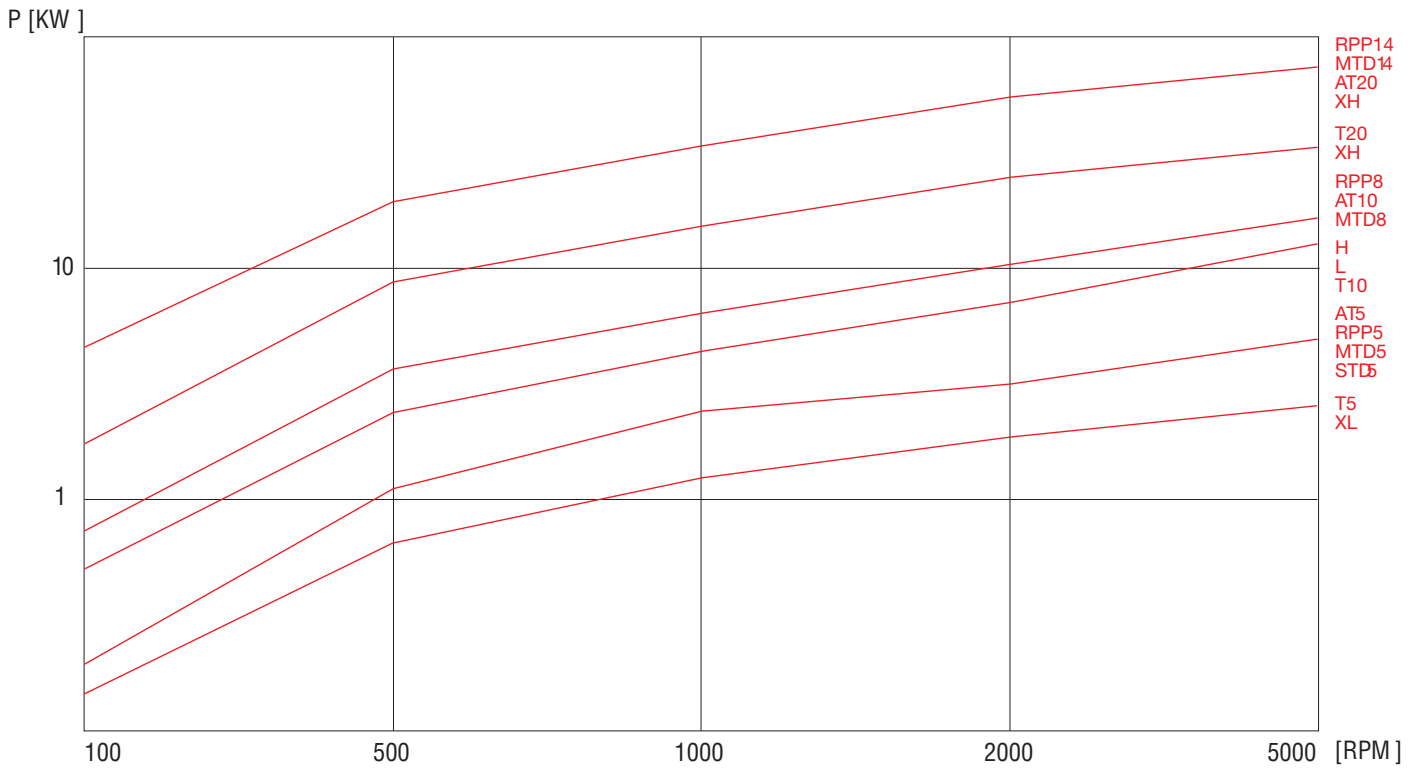


Table n. 1

## BELT WIDTH SELECTION

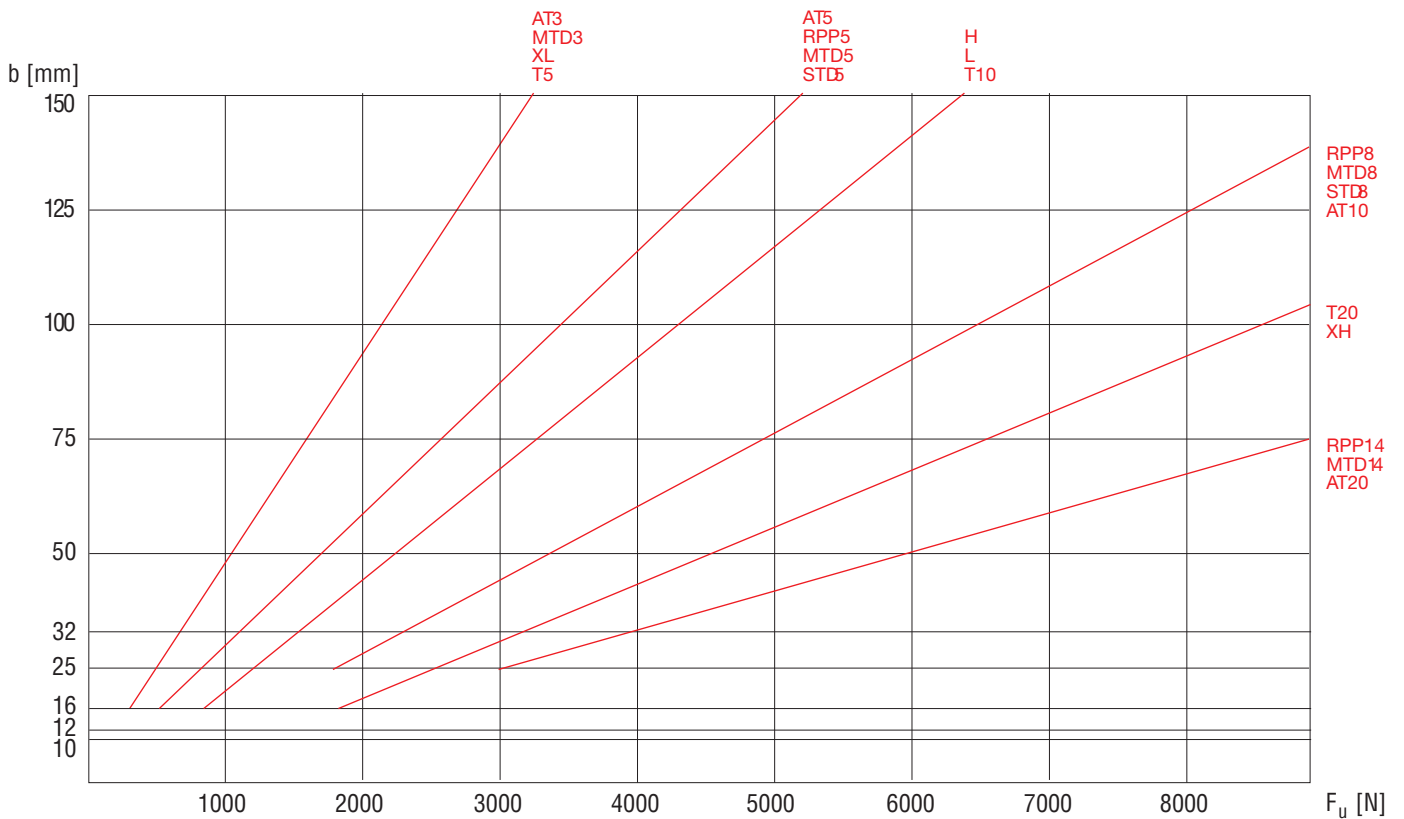


Table n. 2

**Table n. 3 - Friction coefficient**

<b>Rolling friction on dry surface</b>	
Polyurethane / smooth steel	$\mu = 0.5$
Polyurethane / rough steel	$\mu = 0.7$
Polyurethane / abrasive steel	$\mu = 0.9$
Polyurethane NFT / smooth steel	$\mu = 0.25$
Polyurethane NFT / rough steel	$\mu = 0.35$
Polyurethane NFT / abrasive steel	$\mu = 0.6$
Polyurethane / nylon	$\mu = 0.35$
Polyurethane NFT / nylon	$\mu = 0.15$
Polyurethane / aluminium	$\mu = 0.8$
Polyurethane NFT / aluminium	$\mu = 0.45$
<b>Volvent friction on dry surface</b>	
Bearing	$\mu = 0.015$
Roller / PU Belt	$\mu = 0.03 / 0.06$
Bush	$\mu = 0.15$

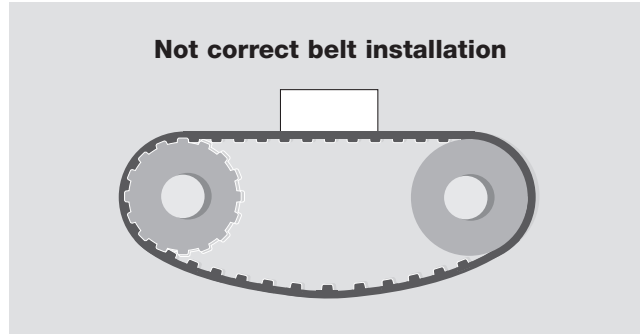
**Table n. 4 - Safety factor**

The choice of the **Safety factor's**, depends on the operating conditions.  
The following table shows the value to be used:

Steady Load		1
Shock Load	Low	1.4
	Average	1.7
	High	2
<b>Elevators, hoists</b>		1.8
<b>Line shafts</b>		1.6
<b>Paper machines:</b>		
agitators, calenders, driers, winding frames,		1.6
willows, Jordan machines, pumps, slicers, grinders		1.8
<b>Machines for pottery and earthenware:</b>		
cutters, granulators,		1.7
pulping machines		2.0
<b>Laundry machines: general</b>		1.6
extractors, washers		1.8
<b>Machines for rubber processing</b>		1.8
<b>Woodworking machines:</b>		
lathes, band saws, cutters,		1.7
circular saws, planers, jointer		1.7
<b>Printing machinery:</b>		
rotary, newspaper, linotype, cutters, folders, magazine		1.6
<b>Textile machines:</b>		
warping machines, winders,		1.7
spinners, twisting frames, looms		1.8
<b>Machines tools: drilling machines, lathes,</b>		
tread cutting machines, gears cutters, boring machines		1.6
millers, planers,		1.7
grinding machines		1.7
<b>Conveyors:</b>		
hoists, light package		1.3
oven screw flight		1.8
apron bucket, elevator		1.8
screw		1.8
<b>Brick machinery</b>		1.8

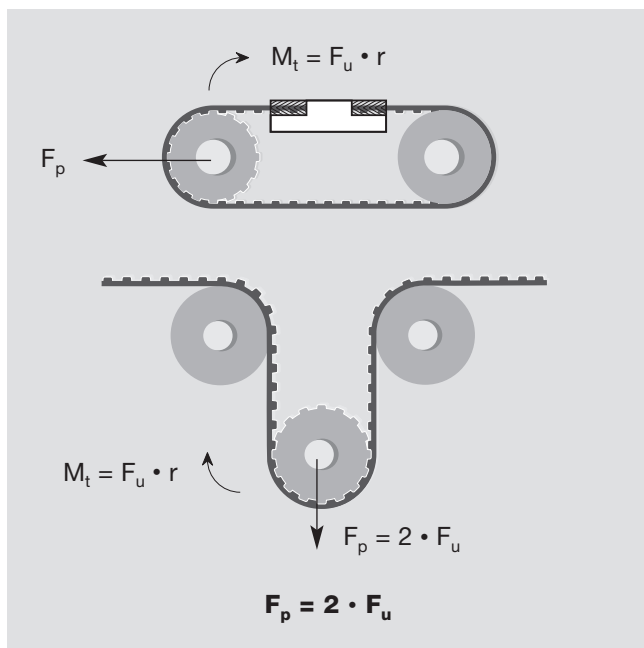
# BELT INSTALLATION

A major difficulty installing transmission belt is to achieve correct belt tension. Lifetime of support bearings and transmission belts and therefore reliability of the complete system largely depends on an optimally adjusted belt tension. Pretension is the force needed to put tension into the system to avoid the belt jumping on the pulleys as in the example below:

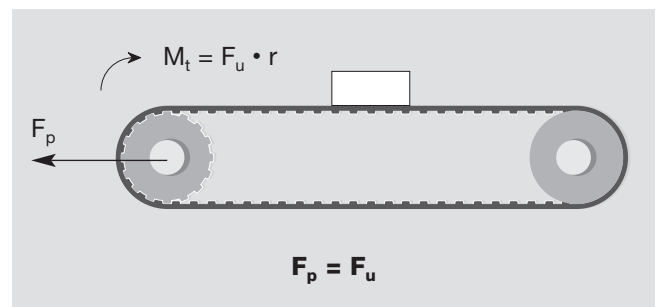


For a correct system installation, all applications with Megalineer belt can be summarised according following two sketches:

## 1) Linear and omega linear motion belt



## 2) Conveyor belt



$F_p$  = pretension  
 $F_u$  = peripheral force (see calculation pag. 8/9)  
 $r$  = pulley radius

## PROCEDURE TO MEASURE

The procedure to measure the tension of the belt is to use a Belt Tension Gauging Equipment. This device consists of a small sensing head which is held across the belt to be measured. The belt is then tapped to induce the belt to vibrate at its natural frequency. The vibrations are detected and the frequency of vibration is then displayed on the measuring unit. The relation between belt static tension ( $T_s$ ) and frequency of vibration ( $f$ ) may be calculated using the following formula:



$$f = \frac{1}{2t} \cdot \sqrt{\frac{T_s}{m}} \quad \text{or} \quad T_s = 4 \cdot m \cdot t^2 \cdot f^2 \quad (16)$$

Where:

$T_s$  = Static tension (N)

$f$  = Frequency of vibration in Hertz (Hz)

$m$  = Belt mass per unit length (kg/m)

$t$  = Free belt span length in meters (m)

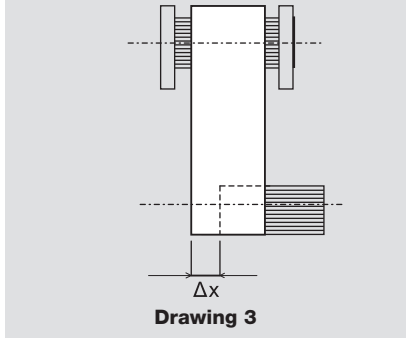
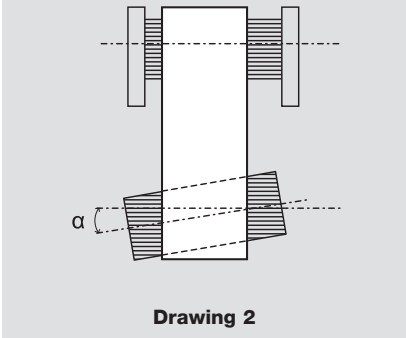
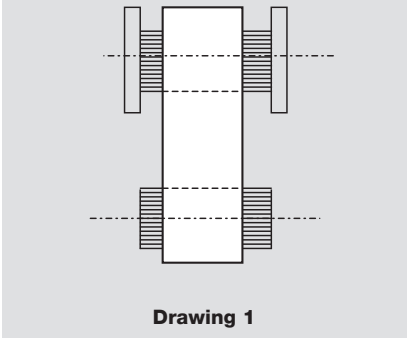


# BELT INSTALLATION

For a correct system functioning and to increase belt life, it is necessary a correct pulley installation: pulleys has to be parallel and aligned as shown in drawing 1 (correct configuration).

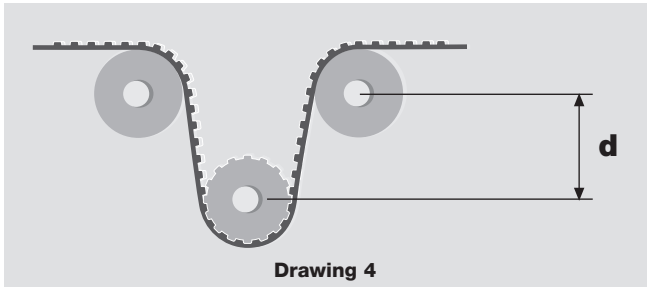
If pulleys are not parallel as in drawing 2, belt could fall during functioning and this can provoke damages to complete equipment.

To grant a correct belt running,  $\alpha$  and  $\Delta x$  must be as smaller as possible. For more information, please contact our technical staff.

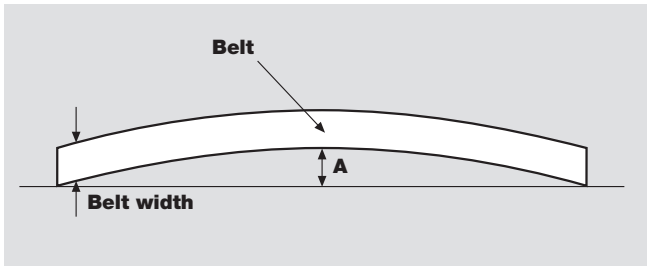


In omega application to grant good mesh between pulley and teeth and to respect belt flexibility avoiding excessive stress on cords, distance  $d$  (as drawing 4) has to be:

**$d = 4 \cdot \text{belt width}$**   
**Suggested angle 120°**



Moreover for a good drive work, it is suggested to check belt straightness as follows:



Belt width	Testing belt length	Maximum suggested bending (A)
Till to 20 mm	1 m	3 mm
Over 20 mm	2 m	4 mm

# MEGALINEAR MXL OPEN-END

## BELT CHARACTERISTICS

<b>STANDARD WIDTHS (inch)</b>	<b>017</b>	<b>037</b>	<b>050</b>
<b>STANDARD WIDTHS (mm)</b>	<b>4,318</b>	<b>9,398</b>	<b>12,7</b>
Weight (gr/m)	8	16	24

Standard compound: **white Polyurethane thermoplastic 92 ShA**

Standard back cover: **none**

Standard tooth cover: **none**

Standard cords: **S and Z torsion kevlar cords**

Standard width tolerance: **+/- 0,38 mm**

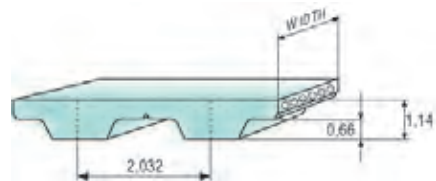
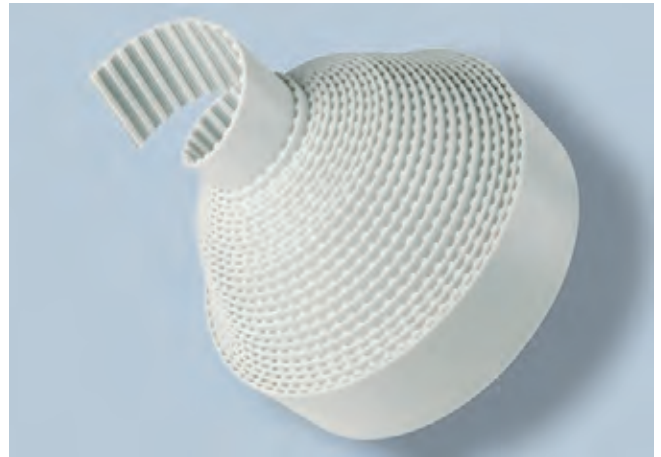
Standard thickness: **1,14 +/- 0,13 mm**

Standard length tolerance: **+/- 0,8 mm/m**

Standard roll length: **100 m**

Belt options on request with minimum quantity:

Antistatic compound



## TOOTH RESISTANCE

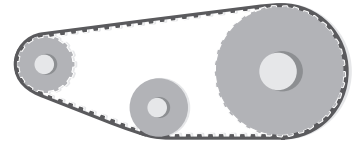
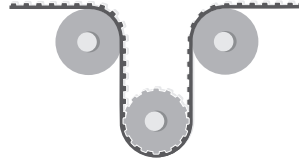
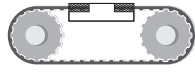
RPM (1/min)	0	20	40	60	80	100	200	300	400	500	750	1000	1500	2000	3000	4000
$F_{p\ spec}$ (N/cm)	<b>7,3</b>	<b>7</b>	<b>6,8</b>	<b>6,7</b>	<b>6,6</b>	<b>6,4</b>	<b>5,9</b>	<b>5,7</b>	<b>5,4</b>	<b>5,2</b>	<b>4,9</b>	<b>4,6</b>	<b>4,2</b>	<b>4</b>	<b>3,6</b>	<b>3,25</b>

Minimum suggested number of teeth in clamp for linear movement: 7

## TRACTION RESISTANCE

	<b>Belt width (inch)</b>	<b>017</b>	<b>037</b>	<b>050</b>
Kevlar	Max Traction Load (N)	210	420	630
	Breaking Strength (N)	850	1700	2550
	Elongation at MTL (mm/m)	8	8	8
Average values				

## FLEXION RESISTANCE

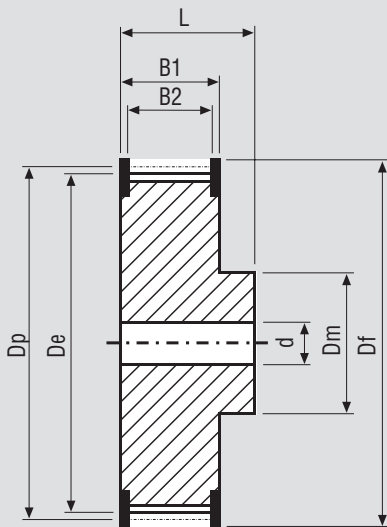


	Z min
Kevlar cords	12

Z min	Idler min dia (mm)
15	30

Z min	Idler min dia (mm)
12	20

## PULLEYS (for more details please see our pulleys catalogue)



N° Teeth	Dp	De
10	6,47	5,96
12	7,76	7,25
13	8,41	7,90
14	9,06	8,55
15	9,70	9,19
16	10,35	9,84
17	11,00	10,49
18	11,64	11,13
19	12,29	11,78
20	12,94	12,43
21	13,58	13,07
22	14,23	13,72
24	15,52	15,01

N° Teeth	Dp	De
26	16,81	16,30
28	18,11	17,60
30	19,40	18,89
32	20,70	20,19
34	21,99	21,48
36	23,29	22,78
40	25,87	25,36
42	27,17	26,66
44	28,46	27,95
48	31,05	30,54
60	38,81	38,30
65	42,04	41,53
72	46,57	46,06

# MEGALINEAR XL OPEN-END

## BELT CHARACTERISTICS

STANDARD WIDTHS (inch)	025	037	050	075	100	150	200
STANDARD WIDTHS (mm)	6,35	9,398	12,7	19,05	25,4	38,1	50,8
Weight (gr/m)	15	20	30	45	60	90	120

Standard compound: **white Polyurethane thermoplastic 92 ShA**

Standard back cover: **none**

Standard tooth cover: **none**

Standard cords: **S and Z torsion zinked steel**

Standard width tolerance: **+/- 0,5 mm**

Standard thickness: **2,3 +/- 0,3 mm**

Standard length tolerance: **+/- 0,8 mm/m**

Standard roll length: **100 m**

Belt options on request with minimum quantity:

Nylon fabric back

Nylon fabric teeth

Antistatic nylon fabric

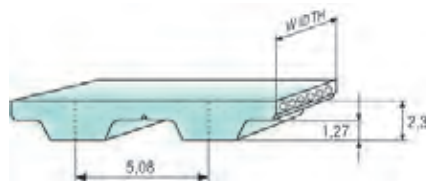
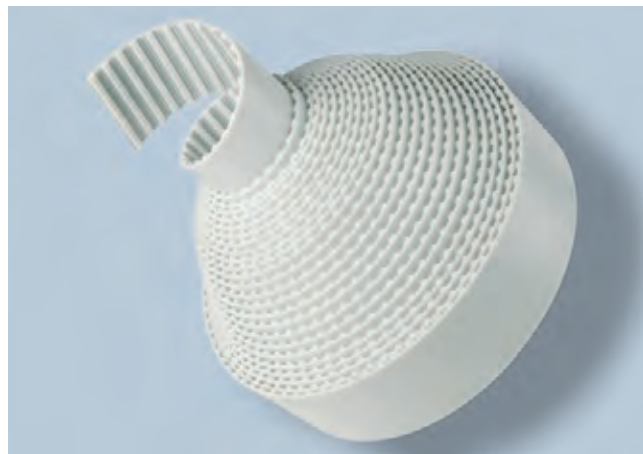
Transparent FDA compound

AVAFC 60/70/85 ShA

APL

Cleats

Different back coating materials see page 94



## TOOTH RESISTANCE

RPM (1/min)	0	20	40	60	80	100	200	300	400	500	750	1000	1500	2000	3000	4000	5000	8000
F <sub>p spec</sub> (N/cm)	19	19	18	18	17	17	16	15	15	14	13	13	12	11	10	9	8	7

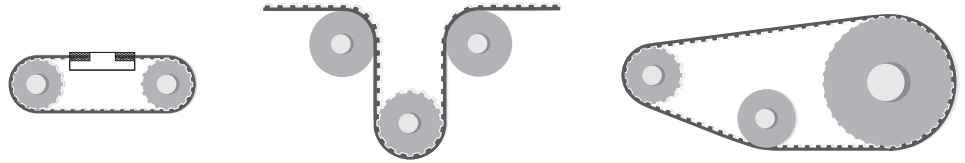
Minimum suggested number of teeth in clamp for linear movement: 7

## TRACTION RESISTANCE

Belt width (inch)		025	037	050	075	100	150	200
Steel	Max Traction Load (N)	145	235	355	590	800	1245	1660
	Breaking Strength (N)	590	950	1425	2375	3205	4985	6650
	Elongation at MTL (mm/m)	4	4	4	4	4	4	4
Kevlar	Max Traction Load (N)	210	335	505	845	1140	1775	2365
	Breaking Strength (N)	845	1350	2025	3380	4565	7100	9465
	Elongation at MTL (mm/m)	8	8	8	8	8	8	8
Stainless	Max Traction Load (N)	85	140	210	355	480	-	-
	Breaking Strength (N)	355	570	855	1425	1920	-	-
	Elongation at MTL (mm/m)	3,8	3,8	3,8	3,8	3,8	-	-

Average values

## FLEXION RESISTANCE



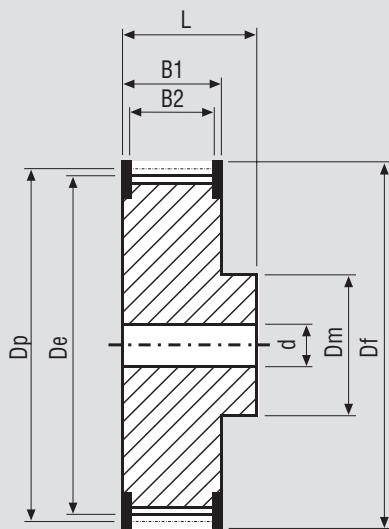
	Z min	Z min	Idler min dia (mm)	Z min	Idler min dia (mm)
Standard steel cords	10	15	30	10	30
Kevlar cords	10	15	30	10	20
Stainless steel cords	13	15	35	13	35

## JOINED BELT INFORMATIONS

- Minimum splice length 900 mm
- Traction and tooth resistances = 50% less than open-end
- Joined belt can be used only in conveyor systems
- Rolls with NFT, NFB, AVAFC and APL can be joined too
- Minimum diameters according above table
- For coated belts, minimum diameters on page 94



## PULLEYS (for more details please see our pulleys catalogue)



N° Teeth	Dp	De	N° Teeth	Dp	De
10	16,17	15,66	26	42,04	41,53
11	17,79	17,28	27	43,67	43,16
12	19,40	18,89	28	45,28	44,77
13	21,02	20,51	29	46,89	46,38
14	22,64	22,13	30	48,51	48,00
15	24,26	23,75	32	51,74	51,23
16	25,87	25,36	34	54,98	54,47
17	27,49	26,98	35	56,60	56,09
18	29,11	28,60	36	58,21	57,70
19	30,72	30,21	38	61,45	60,94
20	32,34	31,83	39	63,06	62,55
21	33,96	33,45	40	64,68	64,17
22	35,57	35,07	42	67,91	67,40
24	38,81	38,30	44	71,15	70,64



# MEGALINEAR L OPEN-END

## BELT CHARACTERISTICS

STANDARD WIDTHS (inch)	037	050	075	100	150	200	400
STANDARD WIDTHS (mm)	9,398	12,7	19,05	25,4	38,1	50,8	101,6
Weight (gr/m)	35	45	65	90	135	180	325

Standard compound: **white Polyurethane thermoplastic 92 ShA**

Standard back cover: **none**

Standard tooth cover: **none**

Standard cords: **S and Z torsion zinked steel**

Standard width tolerance: **+/- 0,5 mm**

Standard thickness: **3,6 +/- 0,3 mm**

Standard length tolerance: **+/- 0,8 mm/m**

Standard roll length: **100 m**

Belt options on request with minimum quantity:

Nylon fabric back

Nylon fabric teeth

Antistatic nylon fabric

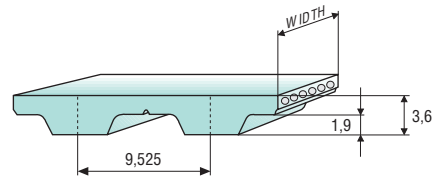
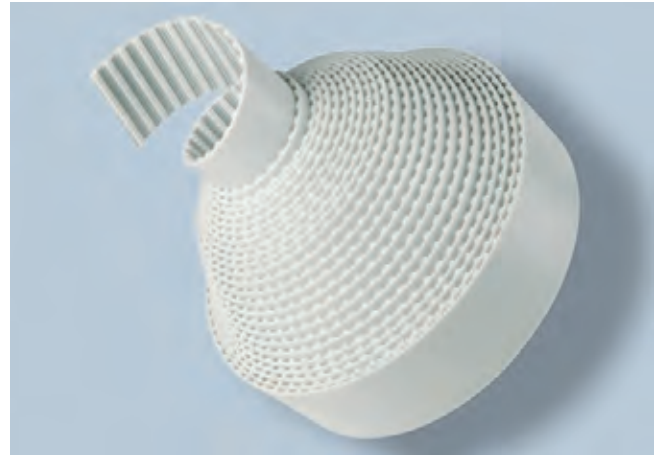
Transparent FDA compound

AVAFC 60/70/85 ShA

APL

Cleats

Different back coating materials see page 94



## TOOTH RESISTANCE

RPM (1/min)	0	20	40	60	80	100	200	300	400	500	750	1000	1500	2000	3000	4000	5000	8000
F <sub>p spec</sub> (N/cm)	<b>37</b>	<b>36</b>	<b>35</b>	<b>35</b>	<b>34</b>	<b>33</b>	<b>31</b>	<b>29</b>	<b>28</b>	<b>27</b>	<b>24</b>	<b>23</b>	<b>20</b>	<b>19</b>	<b>16</b>	<b>15</b>	<b>13</b>	<b>11</b>

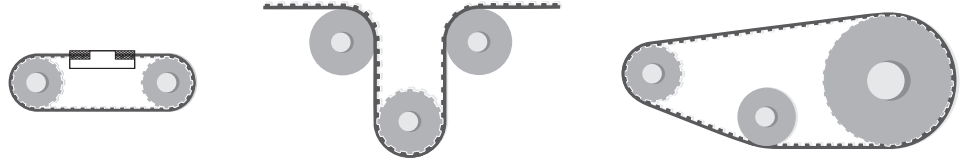
Minimum suggested number of teeth in clamp for linear movement: 7

## TRACTION RESISTANCE

Belt width (inch)		037	050	075	100	150	200	400
Steel	Max Traction Load (N)	570	760	1270	1715	2670	3560	7125
	Breaking Strength (N)	2290	3055	5090	6870	10690	14255	24950
	Elongation at MTL (mm/m)	4	4	4	4	4	4	4
Kevlar	Max Traction Load (N)	595	795	1330	1795	2790	3720	7445
	Breaking Strength (N)	2390	3190	5320	7180	11170	14895	26065
	Elongation at MTL (mm/m)	8	8	8	8	8	8	8
Stainless	Max Traction Load (N)	470	625	1045	1410	-	-	-
	Breaking Strength (N)	1880	2505	4180	5640	-	-	-
	Elongation at MTL (mm/m)	3,8	3,8	3,8	3,8	-	-	-

Average values

## FLEXION RESISTANCE



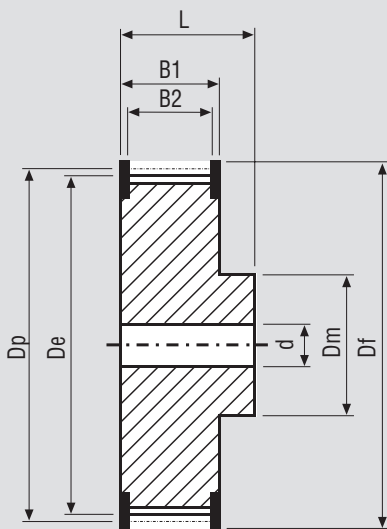
	Z min	Z min	Idler min dia (mm)	Z min	Idler min dia (mm)
Standard steel cords	15	20	60	15	60
Kevlar cords	15	20	60	15	60
Stainless steel cords	18	20	65	18	65

## JOINED BELT INFORMATIONS

- Minimum splice length 900 mm
- Traction and tooth resistances = 50% less than open-end
- Joined belt can be used only in conveyor systems
- Rolls with NFT, NFB, AVAFC and APL can be joined too
- Minimum diameters according above table
- For coated belts, minimum diameters on page 94



## PULLEYS (for more details please see our pulleys catalogue)



N° Teeth	Dp	De	N° Teeth	Dp	De
15	45,48	44,72	27	81,86	81,10
16	48,51	47,75	28	84,89	84,13
17	51,54	50,78	29	87,93	87,17
18	54,57	53,81	30	90,96	90,20
19	57,61	56,85	32	97,02	96,26
20	60,64	59,88	34	103,08	102,32
21	63,67	62,91	36	109,15	108,39
22	66,70	65,94	40	121,28	120,52
23	69,73	68,97	44	133,40	132,64
24	72,77	72,01	48	145,53	144,76
25	75,80	75,04	56	169,79	169,03
26	78,83	78,07			

# MEGALINEAR H OPEN-END

## BELT CHARACTERISTICS

STANDARD WIDTHS (inch)	050	075	100	150	200	300	400	600
STANDARD WIDTHS (mm)	12,7	19,05	25,4	38,1	50,8	76,2	101,6	152,4
Weight (gr/m)	55	80	110	160	215	325	430	645

Standard compound: **white Polyurethane thermoplastic 92 ShA**

Standard back cover: **none**

Standard tooth cover: **none**

Standard cords: **S and Z torsion zinked steel**

Standard width tolerance: **+/- 0,5 mm**

Standard thickness: **4,3 +/- 0,3 mm**

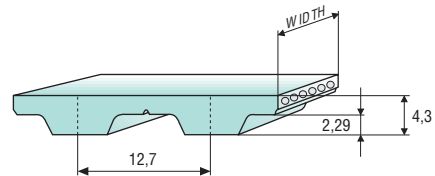
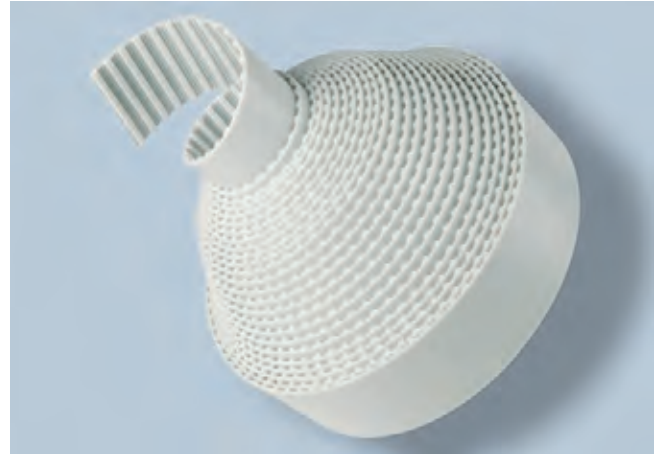
Standard length tolerance: **+/- 0,8 mm/m**

Standard roll length: **100 m**

Belt options on request with minimum quantity:

- Nylon fabric back
- Nylon fabric teeth
- Antistatic nylon fabric
- Transparent FDA compound
- AVAFC 60/70/85 ShA
- APL
- SUPERGRIP PVC
- Cleats

Different back coating materials see page 94



## TOOTH RESISTANCE

RPM (1/min)	0	20	40	60	80	100	200	300	400	500	750	1000	1500	2000	3000	4000	5000	8000
F <sub>p spec</sub> (N/cm)	<b>44</b>	<b>43</b>	<b>42</b>	<b>41</b>	<b>40</b>	<b>39</b>	<b>36</b>	<b>34</b>	<b>33</b>	<b>31</b>	<b>29</b>	<b>27</b>	<b>24</b>	<b>22</b>	<b>19</b>	<b>17</b>	<b>16</b>	<b>12</b>

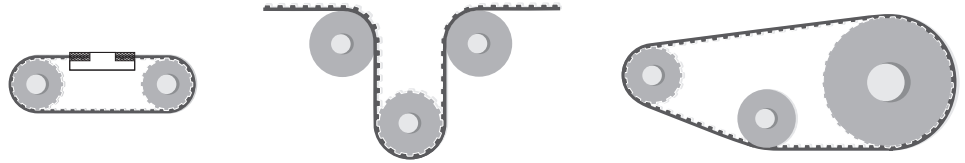
Minimum suggested number of teeth in clamp for linear movement: 7

## TRACTION RESISTANCE

Belt width (inch)		050	075	100	150	200	300	400	600
Steel	Max Traction Load (N)	995	1695	2290	3490	4785	7665	11170	11855
	Breaking Strength (N)	3990	6780	9175	13965	19150	29125	39100	41495
	Elongation at MTL (mm/m)	4	4	4	4	4	4	4	4
Kevlar	Max Traction Load (N)	895	1535	2050	3205	4360	7020	10260	15240
	Breaking Strength (N)	3590	6155	8205	12825	17440	26675	35910	53350
	Elongation at MTL (mm/m)	8	8	8	8	8	8	8	8
Stainless	Max Traction Load (N)	805	1370	1855	2825	3875	-	-	-
	Breaking Strength (N)	3230	5490	7425	11305	15500	-	-	-
	Elongation at MTL (mm/m)	3,8	3,8	3,8	3,8	3,8	-	-	-

Average values

## FLEXION RESISTANCE



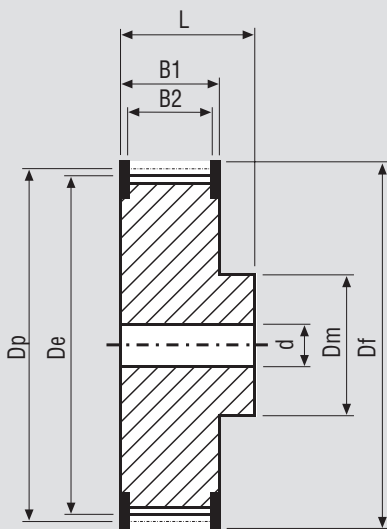
	Z min	Z min	Idler min dia (mm)	Z min	Idler min dia (mm)
Standard steel cords	14	20	80	14	60
Kevlar cords	14	20	80	14	60
Stainless steel cords	18	20	80	18	65

## JOINED BELT INFORMATIONS

- Minimum splice length 900 mm
- Traction and tooth resistances = 50% less than open-end
- Joined belt can be used only in conveyor systems
- Rolls with NFT, NFB, AVAFC and APL can be joined too
- Minimum diameters according above table
- For coated belts, minimum diameters on page 94



## PULLEYS (for more details please see our pulleys catalogue)



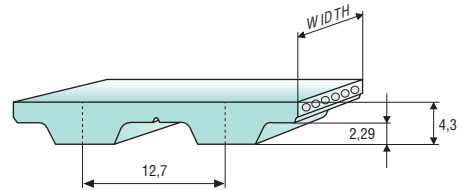
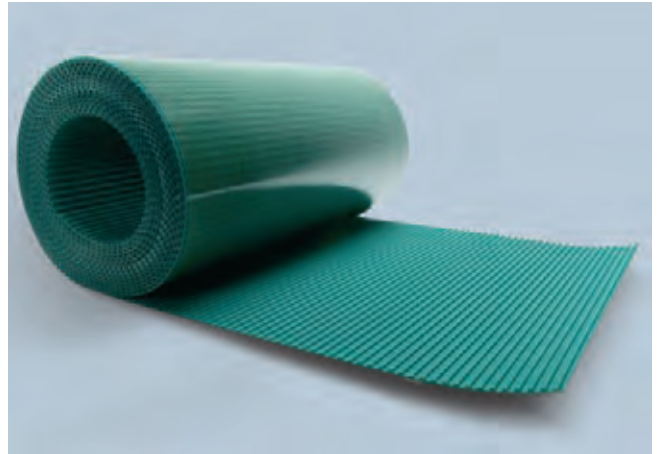
N° Teeth	Dp	De	N° Teeth	Dp	De
14	56,60	55,23	28	113,19	111,82
15	60,64	59,27	29	117,23	115,86
16	64,68	63,31	30	121,28	119,91
17	68,72	67,35	32	129,36	127,99
18	72,77	71,40	33	133,40	132,03
19	76,81	75,44	34	137,45	136,08
20	80,85	79,48	35	141,49	140,12
21	84,89	83,52	36	145,53	144,16
22	88,94	87,57	38	153,62	152,25
23	92,98	91,61	40	161,70	160,33
24	97,02	95,65	44	177,87	176,50
25	101,06	99,69	48	194,04	192,67
26	105,11	103,74	52	210,21	208,84
27	109,15	107,78	60	242,55	241,18

# MEGALINEAR H WIDE OPEN-END

## BELT CHARACTERISTICS

<b>STANDARD WIDTHS (inch)</b>	<b>800</b>	<b>1000</b>	<b>1200</b>	<b>1600</b>	<b>2000</b>
<b>STANDARD WIDTHS (mm)</b>	<b>203,2</b>	<b>254</b>	<b>304,8</b>	<b>406,4</b>	<b>508</b>
Weight (gr/m)	410	510	615	820	1020

- Standard compound: **transparent Polyurethane thermoplastic 90 ShA**
- Standard back cover: **none**
- Standard tooth cover: **none**
- Standard cords: **S and Z torsion kevlar at pitch 3,2 mm**
- Standard width tolerance: **+/- 2 mm**
- Standard thickness: **4,3 +/- 0,3 mm**
- Standard length tolerance: **+/- 0,8 mm/m**
- Standard roll length: **100 m**
- Belt options on request with minimum quantity:
- Nylon fabric back
  - Nylon fabric teeth
  - Antistatic nylon fabric
  - Transparent FDA compound



## TOOTH RESISTANCE

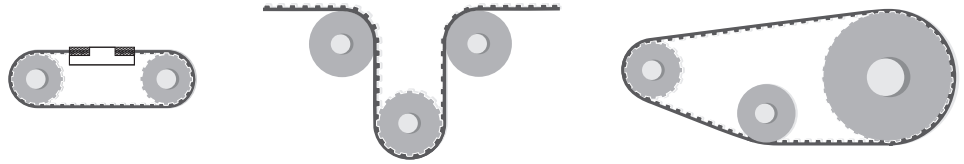
RPM (1/min)	0	20	40	60	80	100	200	300	400	500	750	1000	1500	2000	3000	4000	5000	8000
F <sub>p spec</sub> (N/cm)	<b>31</b>	<b>30</b>	<b>29</b>	<b>29</b>	<b>28</b>	<b>27</b>	<b>25</b>	<b>24</b>	<b>23</b>	<b>21</b>	<b>20</b>	<b>19</b>	<b>17</b>	<b>15</b>	<b>13</b>	<b>12</b>	<b>11</b>	<b>8</b>

## TRACTION RESISTANCE

	<b>Belt width (inch)</b>	<b>800</b>	<b>1000</b>	<b>1200</b>	<b>1600</b>	<b>2000</b>
Kevlar	Max Traction Load (N)	8350	10260	12310	16415	20520
	Breaking Strength (N)	29240	35910	43090	57455	71820
	Elongation at MTL (mm/m)	8	8	8	8	8
Average values						



## FLEXION RESISTANCE



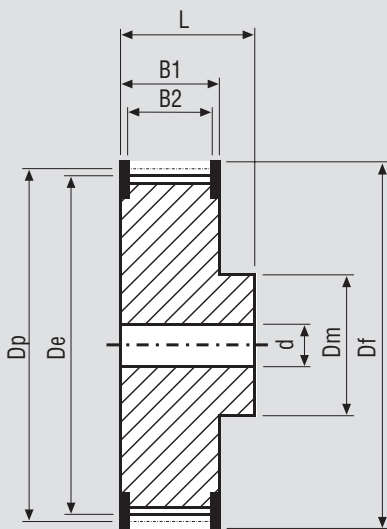
	Z min	Z min	Idler min dia (mm)	Z min	Idler min dia (mm)
Kevlar cords	14	20	80	14	60

## JOINED BELT INFORMATIONS

- Traction and tooth resistances = 50% less than open-end
- Joined belt can be used only in conveyor systems
- Rolls with NFT and NFB can be joined too
- Minimum diameters according above table



## PULLEYS (for more details please see our pulleys catalogue)



N° Teeth	Dp	De	N° Teeth	Dp	De
14	56,60	55,23	28	113,19	111,82
15	60,64	59,27	29	117,23	115,86
16	64,68	63,31	30	121,28	119,91
17	68,72	67,35	32	129,36	127,99
18	72,77	71,40	33	133,40	132,03
19	76,81	75,44	34	137,45	136,08
20	80,85	79,48	35	141,49	140,12
21	84,89	83,52	36	145,53	144,16
22	88,94	87,57	38	153,62	152,25
23	92,98	91,61	40	161,70	160,33
24	97,02	95,65	44	177,87	176,50
25	101,06	99,69	48	194,04	192,67
26	105,11	103,74	52	210,21	208,84
27	109,15	107,78	60	242,55	241,18

# MEGALINEAR XH OPEN-END

## BELT CHARACTERISTICS

STANDARD WIDTHS (inch)	100	150	200	300	400	600
STANDARD WIDTHS (mm)	25,4	38,1	50,8	76,2	101,6	152,4
Weight (gr/m)	250	400	530	795	1060	1625

Standard compound: **white Polyurethane thermoplastic 92 ShA**

Standard back cover: **none**

Standard tooth cover: **none**

Standard cords: **S and Z torsion zinked steel**

Standard width tolerance: **+/- 1 mm**

Standard thickness: **11,2 +/- 0,5 mm**

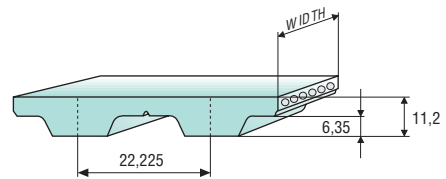
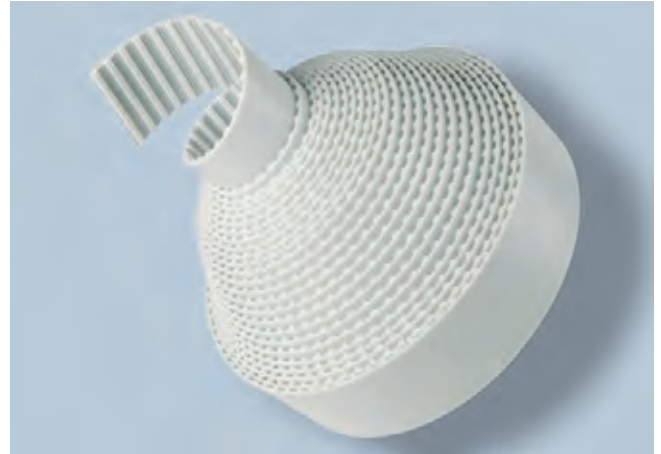
Standard length tolerance: **+/- 0,8 mm/m**

Standard roll length: **100 m**

Belt options on request with minimum quantity:

- Nylon fabric back
- Nylon fabric teeth
- Antistatic nylon fabric
- Transparent FDA compound
- AVAFC 60/70/85 ShA
- APL
- Fishbone
- Ribbed
- Cleats

Different back coating materials see page 94



## TOOTH RESISTANCE

RPM (1/min)	0	20	40	60	80	100	200	300	400	500	750	1000	1500	2000	3000	4000	5000	8000
F <sub>p spec</sub> (N/cm)	115	111	108	105	103	101	92	86	81	78	70	65	57	51	43	37	-	-

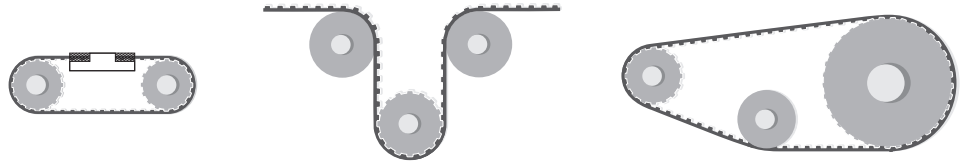
Minimum suggested number of teeth in clamp for linear movement: 7

## TRACTION RESISTANCE

Belt width (inch)		100	150	200	300	400	600
Steel	Max Traction Load (N)	3610	5640	7670	12350	18050	26815
	Breaking Strength (N)	14440	22560	30685	46930	63175	93860
	Elongation at MTL (mm/m)	4	4	4	4	4	4
Kevlar	Max Traction Load (N)	4215	6675	9135	14800	21690	32940
	Breaking Strength (N)	16870	26710	36555	56240	75920	115290
	Elongation at MTL (mm/m)	8	8	8	8	8	8
Stainless	Max Traction Load (N)	2865	4480	6095	-	-	-
	Breaking Strength (N)	11475	17930	24385	-	-	-
	Elongation at MTL (mm/m)	3,8	3,8	3,8	-	-	-

Average values

## FLEXION RESISTANCE



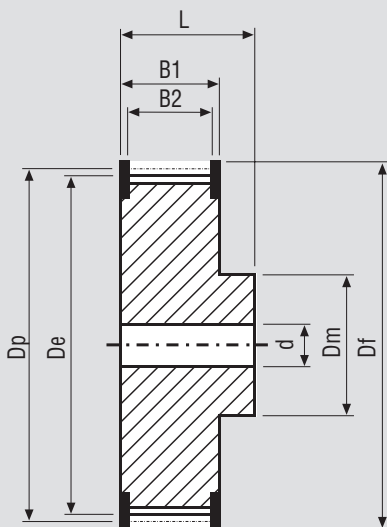
	Z min	Z min	Idler min dia (mm)	Z min	Idler min dia (mm)
Standard steel cords	18	20	180	18	150
Kevlar cords	18	20	180	18	150
Stainless steel cords	23	25	180	23	165

## JOINED BELT INFORMATIONS

- Minimum splice length 900 mm
- Traction and tooth resistances = 50% less than open-end
- Joined belt can be used only in conveyor systems
- Rolls with NFT, NFB, AVAFC and APL can be joined too
- Minimum diameters according above table
- For coated belts, minimum diameters on page 94



## PULLEYS (for more details please see our pulleys catalogue)



N° Teeth	Dp	De	N° Teeth	Dp	De
18	127,34	124,55	40	282,98	280,19
20	141,49	138,70	44	311,28	308,48
22	155,64	152,83	48	339,57	336,78
24	169,79	167,00	60	424,47	421,68
26	183,92	181,13	72	509,36	506,57
28	198,08	195,29	84	594,25	591,46
30	212,23	209,44	96	679,15	676,35
32	226,38	223,59	120	848,93	846,14

# MEGALINEAR T2,5 OPEN-END

## BELT CHARACTERISTICS

STANDARD WIDTHS (mm)	10	16	20
Weight (gr/m)	14	23	28

Standard compound: **white Polyurethane thermoplastic 92 ShA**

Standard back cover: **none**

Standard tooth cover: **none**

Standard cords: **one torsion zinked steel**

Standard width tolerance: **+/- 0,3 mm**

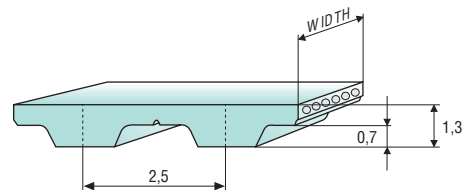
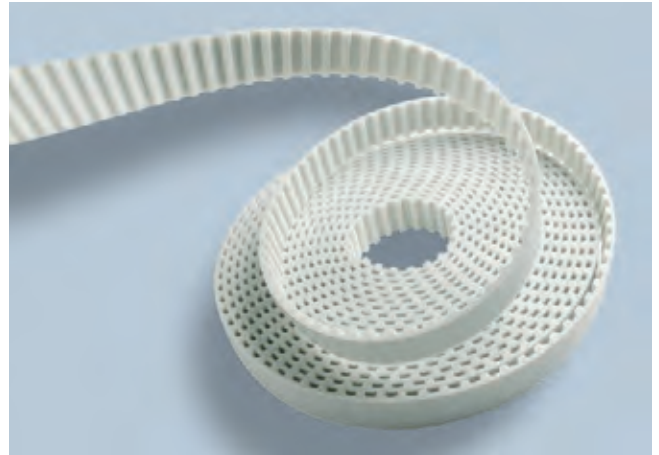
Standard thickness: **1,3 +/- 0,15 mm**

Standard length tolerance: **+/- 0,8 mm/m**

Standard roll length: **100 m**

Belt options on request with minimum quantity:

Antistatic compound



## TOOTH RESISTANCE

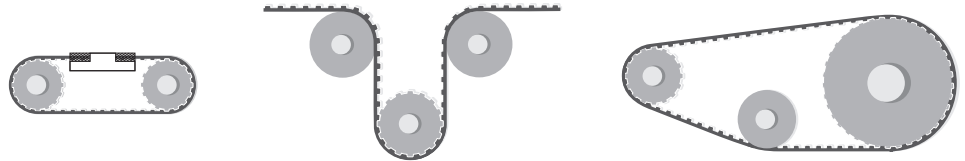
RPM (1/min)	0	20	40	60	80	100	200	300	400	500	750	1000	1500	2000	3000	4000
$F_{p\ spec}$ (N/cm)	9	8,7	8,4	8,2	8,1	7,9	7,3	7	6,7	6,4	6	5,7	5,2	4,9	4,4	4

Minimum suggested number of teeth in clamp for linear movement: 7

## TRACTION RESISTANCE

Belt width (mm)		10	16	20
Steel	Max Traction Load (N)	100	150	200
	Breaking Strength (N)	410	610	820
	Elongation at MTL (mm/m)	4	4	4
Average values				

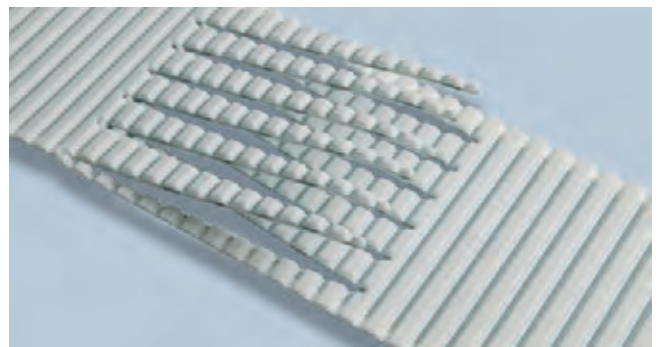
## FLEXION RESISTANCE



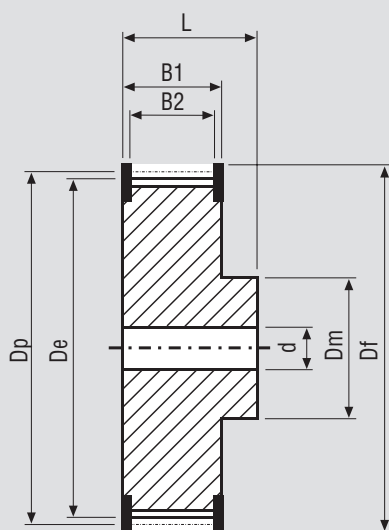
	Z min	Z min	Idler min dia (mm)	Z min	Idler min dia (mm)
Standard steel cords	10	18	15	10	18

## JOINED BELT INFORMATIONS

- Minimum splice length 500 mm
- Traction and tooth resistances = 50% less than open-end
- Joined belt can be used only in conveyor systems
- Minimum diameters according above table



## PULLEYS (for more details please see our pulleys catalogue)



N° Teeth	Dp	De	N° Teeth	Dp	De
10	7,96	7,45	22	17,51	17,00
11	8,75	8,25	24	19,10	18,55
12	9,55	9,00	26	20,69	20,15
13	10,34	9,80	28	22,28	21,75
14	11,14	10,60	30	23,87	23,35
15	11,94	11,40	32	25,46	24,45
16	12,73	12,20	36	28,65	28,10
17	13,53	13,00	40	31,83	31,30
18	14,32	13,80	44	35,01	34,50
19	15,12	14,60	48	38,20	37,70
20	15,92	15,40	60	47,75	47,25
21	16,71	16,20	72	55,20	55,20



# MEGALINEAR T5 OPEN-END

## BELT CHARACTERISTICS

STANDARD WIDTHS (mm)	6	10	16	25	32	50	75	150
Weight (gr/m)	15	20	35	55	70	105	160	330

Standard compound: **white Polyurethane thermoplastic 92 ShA**

Standard back cover: **none**

Standard tooth cover: **none**

Standard cords: **S and Z torsion zinked steel**

Standard width tolerance: **+/- 0,5 mm**

Standard thickness: **2,2 +/- 0,15 mm**

Standard length tolerance: **+/- 0,8 mm/m**

Standard roll length: **100 m**

Belt options on request with minimum quantity:

Nylon fabric back

Nylon fabric teeth

Antistatic nylon fabric

Transparent FDA compound

AVAFC 60/70/85 ShA

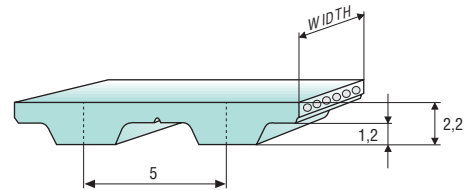
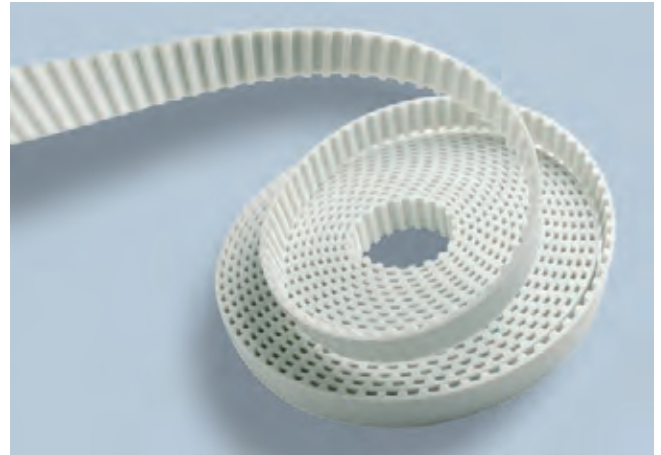
APL

Fishbone

Ribbed

Cleats

Different back coating materials see page 94



## TOOTH RESISTANCE

RPM (1/min)	0	20	40	60	80	100	200	300	400	500	750	1000	1500	2000	3000	4000	5000	8000
F <sub>p spec</sub> (N/cm)	<b>24</b>	<b>23</b>	<b>23</b>	<b>22</b>	<b>22</b>	<b>22</b>	<b>20</b>	<b>19</b>	<b>19</b>	<b>18</b>	<b>17</b>	<b>16</b>	<b>15</b>	<b>14</b>	<b>12</b>	<b>11</b>	<b>11</b>	<b>9</b>

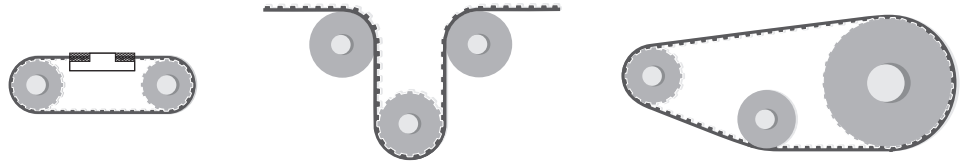
Minimum suggested number of teeth in clamp for linear movement: 7

## TRACTION RESISTANCE

	Belt width (mm)	6	10	16	25	32	50	75	100	150
Steel	Max Traction Load (N)	175	355	475	800	1005	1660	2280	3060	3460
	Breaking Strength (N)	710	1425	1900	3205	4035	6650	8665	11635	12110
	Elongation at MTL (mm/m)	4	4	4	4	4	4	4	4	4
Kevlar	Max Traction Load (N)	395	795	1060	1795	2260	3720	5110	6860	7750
	Breaking Strength (N)	1595	3190	4255	7180	9040	14895	19415	26065	27130
	Elongation at MTL (mm/m)	8	8	8	8	8	8	8	8	8
HP	Max Traction Load (N)	-	555	740	1250	1570	2590	3555	4775	-
	Breaking Strength (N)	-	2220	2960	5000	6295	10370	13520	18150	-
	Elongation at MTL (mm/m)	-	4	4	4	4	4	4	4	-
HF	Max Traction Load (N)	-	465	620	1050	1320	2180	2990	4015	-
	Breaking Strength (N)	-	1865	2490	4205	5295	8720	11370	15265	-
	Elongation at MTL (mm/m)	-	5	5	5	5	5	5	5	-
Stainless	Max Traction Load (N)	105	210	285	480	-	-	-	-	-
	Breaking Strength (N)	425	855	1140	1920	-	-	-	-	-
	Elongation at MTL (mm/m)	3,8	3,8	3,8	3,8	-	-	-	-	-

Average values

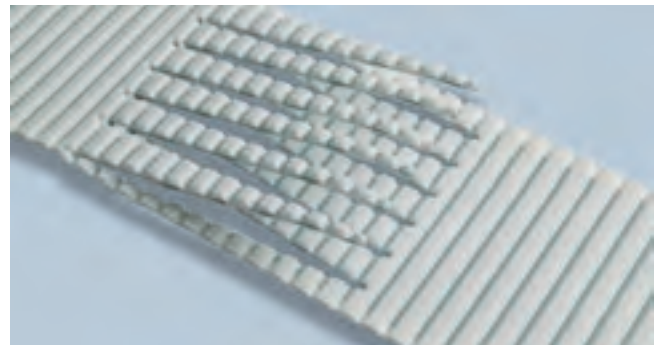
## FLEXION RESISTANCE



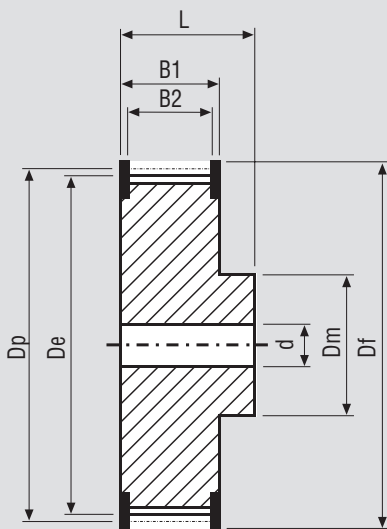
	Z min	Z min	Idler min dia (mm)	Z min	Idler min dia (mm)
Standard steel cords	10	15	30	10	30
Kevlar cords	12	15	30	12	30
High Power cords	15	15	40	15	60
High Flexibility cords	10	12	30	10	30
Stainless steel cords	15	18	40	15	40

## JOINED BELT INFORMATIONS

- Minimum splice length 900 mm
- Traction and tooth resistances = 50% less than open-end
- Joined belt can be used only in conveyor systems
- Rolls with NFT, NFB, AVAFC and APL can be joined too
- Minimum diameters according above table
- For coated belts, minimum diameters on page 94



## PULLEYS (for more details please see our pulleys catalogue)



N° Teeth	Dp	De	N° Teeth	Dp	De
10	15,92	15,09	25	39,79	38,96
12	19,10	18,27	28	44,56	43,73
14	22,28	21,45	30	47,75	46,92
15	23,87	23,04	32	50,93	50,10
16	25,46	24,64	36	57,30	56,47
18	28,65	27,82	40	63,66	62,93
19	30,24	29,41	42	66,85	66,02
20	31,83	31,00	44	70,03	69,20
22	35,01	34,19	48	76,39	75,57
24	38,20	37,37	60	95,49	94,67

# MEGALINEAR TT5 FOR KNITTING MACHINE

## BELT CHARACTERISTICS

<b>STANDARD WIDTHS (mm)</b>	<b>10</b>
Weight (gr/m)	20

### Steel cord

Standard compound: **white Polyurethane thermoplastic 88 ShA**

Standard back cover: **none**

Standard tooth cover: **none**

Standard cords: **S and Z torsion zinked steel**

Standard width tolerance: **+/- 0,5 mm**

Standard thickness: **3 +0,2/- 0,1 mm**

Standard length tolerance: **+/- 0,8 mm/m**

Standard roll length: **100 m**

### Kevlar cord

Standard compound: **blue Polyurethane thermoplastic 88 ShA**

Standard back cover: **none**

Standard tooth cover: **none**

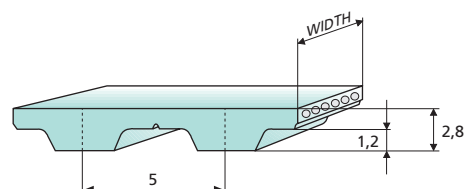
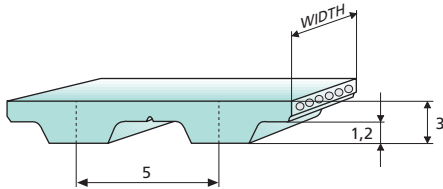
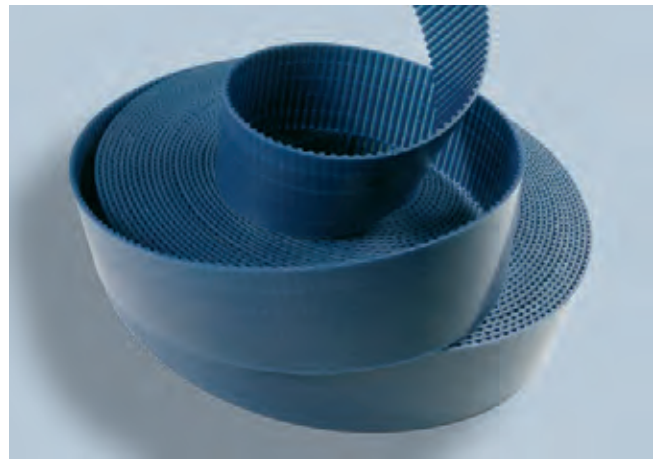
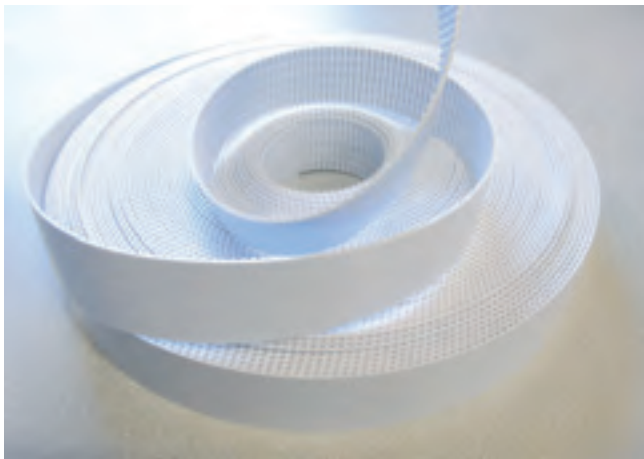
Standard cords: **S and Z torsion kevlar**

Standard width tolerance: **+/- 0,5 mm**

Standard thickness: **2,8 +/- 0,15 mm**

Standard length tolerance: **+/- 0,8 mm/m**

Standard roll length: **100 m**



## TOOTH RESISTANCE

RPM (1/min)	0	20	40	60	80	100	200	300	400	500	750	1000	1500	2000	3000	4000	5000	8000
F <sub>p spec</sub> (N/cm)	<b>24</b>	<b>23</b>	<b>23</b>	<b>22</b>	<b>22</b>	<b>22</b>	<b>20</b>	<b>19</b>	<b>19</b>	<b>18</b>	<b>17</b>	<b>16</b>	<b>15</b>	<b>14</b>	<b>12</b>	<b>11</b>	<b>11</b>	<b>9</b>

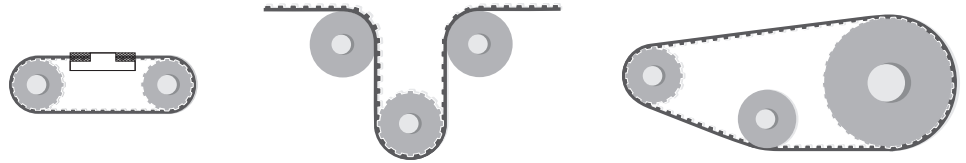
## TRACTION RESISTANCE

<b>Belt width (mm)</b>	<b>10</b>	
Steel	Max Traction Load (N)	355
	Breaking Strength (N)	1425
	Elongation at MTL (mm/m)	4
Kevlar	Max Traction Load (N)	795
	Breaking Strength (N)	3190
	Elongation at MTL (mm/m)	8

Average values

# MEGALINEAR TT5 FOR KNITTING MACHINE

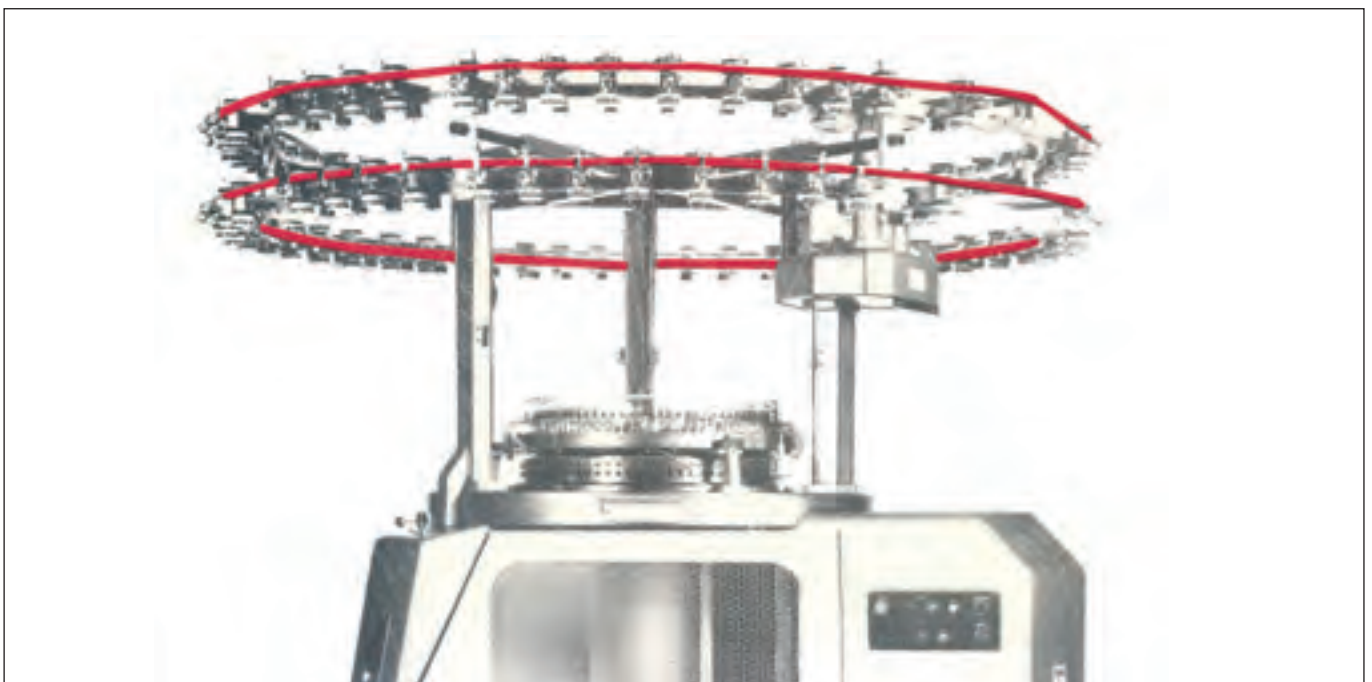
## FLEXION RESISTANCE



	Z min	Z min	Idler min dia (mm)	Z min	Idler min dia (mm)
Standard steel cords	10	15	30	10	30
Kevlar cords	12	15	30	12	30

## JOINED BELT INFORMATIONS

- Minimum splice length 900 mm
- Traction and tooth resistances = 50% less than open-end
- Joined belt can be used only in conveyor systems
- Rolls with NFT and NFB can be joined too
- Minimum diameters according above table



# MEGALINEAR T10 OPEN-END

## BELT CHARACTERISTICS

STANDARD WIDTHS (mm)	12	16	25	32	50	75	100	150
Weight (gr/m)	50	75	115	145	225	340	435	680

Standard compound: **white Polyurethane thermoplastic 92 ShA**

Standard back cover: **none**

Standard tooth cover: **none**

Standard cords: **S and Z torsion zinked steel**

Standard width tolerance: **+/- 0,5 mm**

Standard thickness: **4,5 +/- 0,3 mm**

Standard length tolerance: **+/- 0,8 mm/m**

Standard roll length: **100 m**

Belt options on request with minimum quantity:

Nylon fabric back

Nylon fabric teeth

Antistatic nylon fabric

Transparent FDA compound

AVAFC 60/70/85 ShA

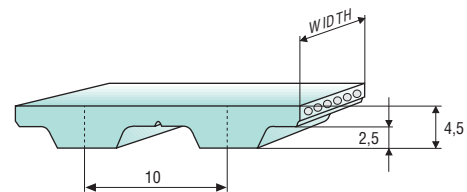
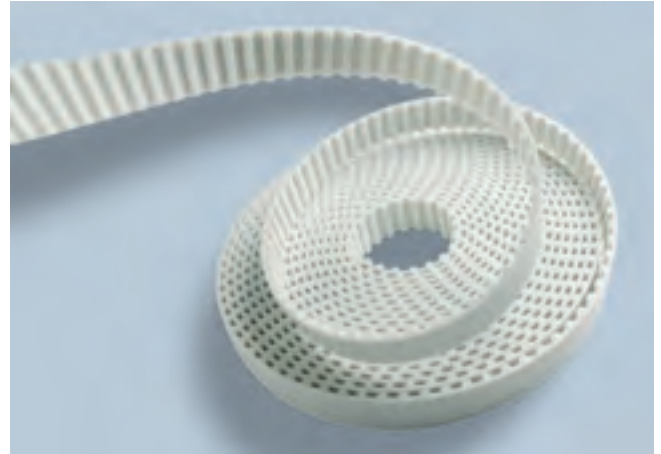
APL

Fishbone

Ribbed

SUPERGRIP PVC

Cleats



Different back coating materials see page 94

## TOOTH RESISTANCE

RPM (1/min)	0	20	40	60	80	100	200	300	400	500	750	1000	1500	2000	3000	4000	5000	8000
F <sub>p spec</sub> (N/cm)	<b>51</b>	<b>49</b>	<b>48</b>	<b>47</b>	<b>46</b>	<b>45</b>	<b>41</b>	<b>39</b>	<b>37</b>	<b>36</b>	<b>33</b>	<b>31</b>	<b>28</b>	<b>25</b>	<b>22</b>	<b>20</b>	<b>18</b>	<b>14</b>

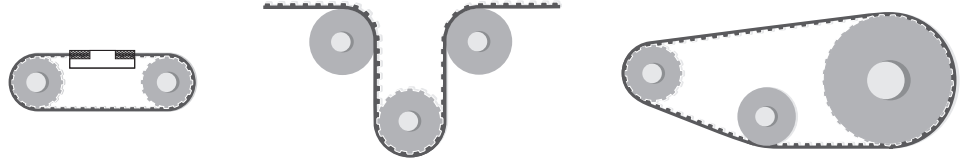
Minimum suggested number of teeth in clamp for linear movement: 7

## TRACTION RESISTANCE

Belt width (mm)		12	16	25	32	50	75	100	150
Steel	Max Traction Load (N)	995	1395	2290	2890	4785	7665	10290	11855
	Breaking Strength (N)	3990	5585	9175	11570	19150	29125	39100	41495
	Elongation at MTL (mm/m)	4	4	4	4	4	4	4	4
Kevlar	Max Traction Load (N)	895	1150	2050	2565	4360	7020	9450	15240
	Breaking Strength (N)	3590	4615	8205	10260	17440	26675	35910	53350
	Elongation at MTL (mm/m)	8	8	8	8	8	8	8	8
HP	Max Traction Load (N)	1575	2030	3610	4510	7670	12350	16625	26815
	Breaking Strength (N)	6315	8120	14440	18050	30685	46930	63175	93860
	Elongation at MTL (mm/m)	4	4	4	4	4	4	4	4
HF	Max Traction Load (N)	1045	1460	2400	3030	5015	8025	10775	12420
	Breaking Strength (N)	4180	5850	9610	12120	20060	30510	40960	43470
	Elongation at MTL (mm/m)	5	5	5	5	5	5	5	5
HPF	Max Traction Load (N)	-	2105	3740	4675	7950	12800	17235	27800
	Breaking Strength (N)	-	8420	14970	18715	31815	48655	65500	97315
	Elongation at MTL (mm/m)	-	5	5	5	5	5	5	5
Stainless	Max Traction Load (N)	805	1130	1855	2340	3875	-	-	-
	Breaking Strength (N)	3230	4520	7425	9365	15500	-	-	-
	Elongation at MTL (mm/m)	3,8	3,8	3,8	3,8	3,8	-	-	-

Average values

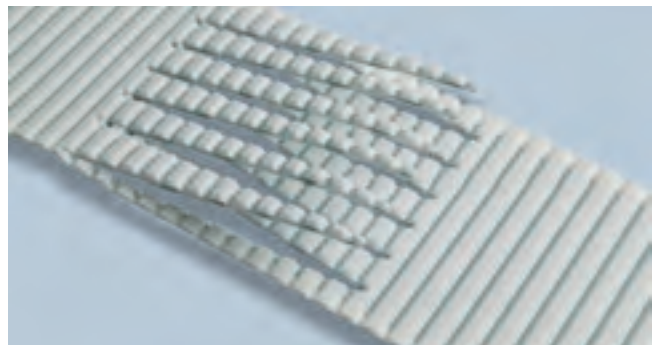
## FLEXION RESISTANCE



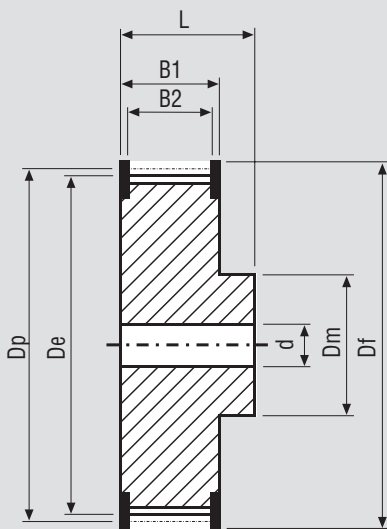
	Z min	Z min	Idler min dia (mm)	Z min	Idler min dia (mm)
Standard steel cords	12	20	60	12	60
Kevlar cords	15	20	60	15	60
High Power cords	15	20	100	15	100
High Flexibility cords	12	15	50	12	50
High Power Flexible cords	14	20	80	14	80
Stainless steel cords	15	20	70	15	70

## JOINED BELT INFORMATIONS

- Minimum splice length 900 mm
- Traction and tooth resistances = 50% less than open-end
- Joined belt can be used only in conveyor systems
- Rolls with NFT, NFB, AVAFC and APL can be joined too
- Minimum diameters according above table
- For coated belts, minimum diameters on page 94



## PULLEYS (for more details please see our pulleys catalogue)



N° Teeth	Dp	De	N° Teeth	Dp	De
12	38,20	36,35	26	82,76	80,91
14	44,56	42,71	27	85,94	84,10
15	47,75	45,90	28	89,13	87,28
16	50,93	49,08	30	95,49	93,65
18	57,30	55,45	32	101,86	100,01
19	60,48	58,63	36	114,59	112,74
20	63,66	61,81	40	127,32	125,48
22	70,03	68,18	44	140,06	138,21
24	76,39	74,55	48	152,79	150,94
25	79,58	77,73	60	190,99	189,14



# MEGALINEAR T10 WITHOUT GAP OPEN-END

## BELT CHARACTERISTICS

STANDARD WIDTHS (mm)	16	25	32	50	75
Weight (gr/m)	74	115	148	230	345

Standard compound: **white Polyurethane thermoplastic 92 ShA**

Standard back cover: **none**

Standard tooth cover: **none**

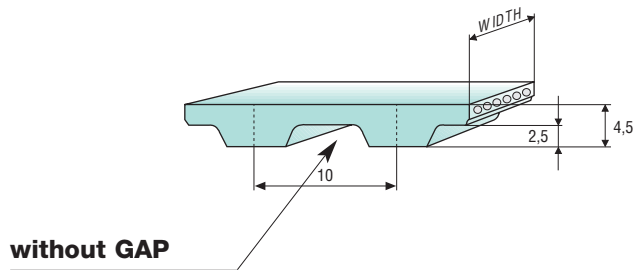
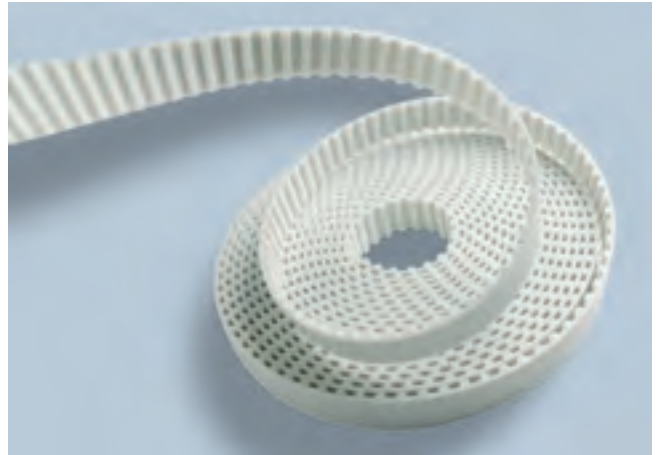
Standard cords: **S and Z torsion zinked steel**

Standard width tolerance: **+/- 0,5 mm**

Standard thickness: **4,5 +/- 0,3 mm**

Standard length tolerance: **+/- 0,8 mm/m**

Standard roll length: **100 m**



## TOOTH RESISTANCE

RPM (1/min)	0	20	40	60	80	100	200	300	400	500	750	1000	1500	2000	3000	4000	5000	8000
F <sub>p spec</sub> (N/cm)	<b>51</b>	<b>49</b>	<b>48</b>	<b>47</b>	<b>46</b>	<b>45</b>	<b>41</b>	<b>39</b>	<b>37</b>	<b>36</b>	<b>33</b>	<b>31</b>	<b>28</b>	<b>25</b>	<b>22</b>	<b>20</b>	<b>18</b>	<b>14</b>

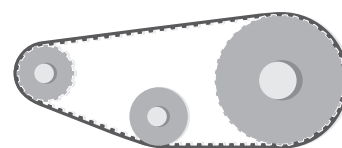
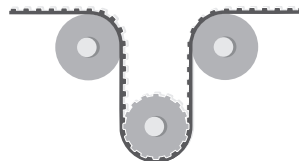
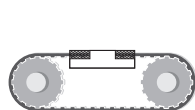
## TRACTION RESISTANCE

Belt width (mm)		16	25	32	50	75
Steel	Max Traction Load (N)	1295	2190	2590	4385	6925
	Breaking Strength (N)	5185	8775	10370	17555	26330
	Elongation at MTL (mm/m)	4	4	4	4	4
Kevlar	Max Traction Load (N)	1665	2820	3330	5640	8910
	Breaking Strength (N)	6665	11285	13335	22570	33855
	Elongation at MTL (mm/m)	8	8	8	8	8

Average values

# MEGALINEAR T10 WITHOUT GAP OPEN-END

## FLEXION RESISTANCE



	Z min
Standard steel cords	12
Kevlar cords	15

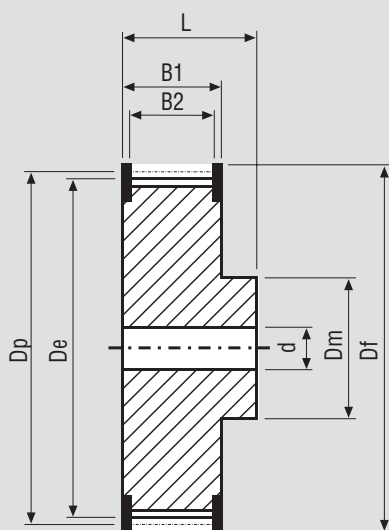
Z min	Idler min dia (mm)
20	60
20	60

Z min	Idler min dia (mm)
12	60
15	60

## TYPICAL APPLICATION - CAR WASHING MACHINE



## PULLEYS (for more details please see our pulleys catalogue)



N° Teeth	Dp	De
12	38,20	36,35
14	44,56	42,71
15	47,75	45,90
16	50,93	49,08
18	57,30	55,45
19	60,48	58,63
20	63,66	61,81
22	70,03	68,18
24	76,39	74,55
25	79,58	77,73

N° Teeth	Dp	De
26	82,76	80,91
27	85,94	84,10
28	89,13	87,28
30	95,49	93,65
32	101,86	100,01
36	114,59	112,74
40	127,32	125,48
44	140,06	138,21
48	152,79	150,94
60	190,99	189,14

# MEGALINEAR T10 WIDE OPEN-END

## BELT CHARACTERISTICS

STANDARD WIDTHS (mm)	200	250	300	400	450	500
Weight (gr/m)	410	510	615	820	920	1020

Standard compound: **transparent Polyurethane thermoplastic 90 ShA**

Standard back cover: **none**

Standard tooth cover: **none**

Standard cords: **S and Z torsion kevlar at pitch 3,5 mm**

Standard width tolerance: **+/- 2 mm**

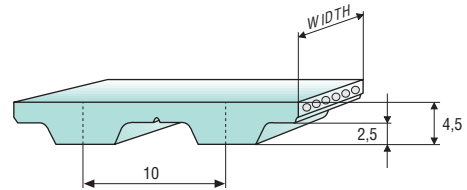
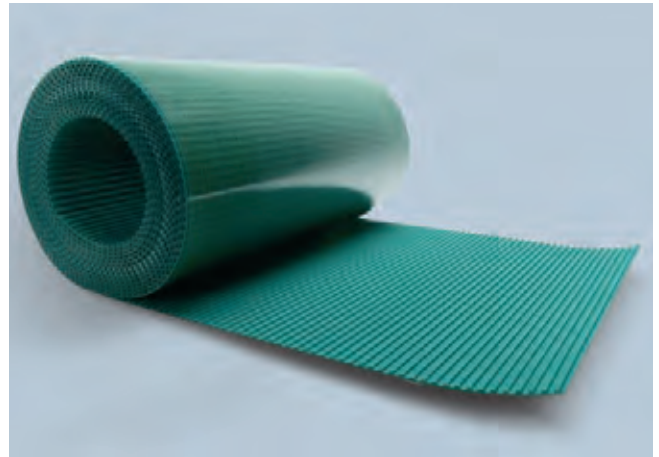
Standard thickness: **4,5 +/- 0,3 mm**

Standard length tolerance: **+/- 0,8 mm/m**

Standard roll length: **100 m**

Belt options on request with minimum quantity:

- Nylon fabric back
- Nylon fabric teeth
- Antistatic nylon fabric
- Transparent FDA compound



## TOOTH RESISTANCE

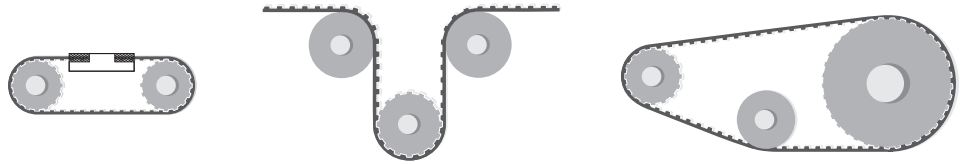
RPM (1/min)	0	20	40	60	80	100	200	300	400	500	750	1000	1500	2000	3000	4000	5000	8000
F <sub>p spec</sub> (N/cm)	<b>36</b>	<b>34</b>	<b>34</b>	<b>33</b>	<b>32</b>	<b>31</b>	<b>29</b>	<b>27</b>	<b>26</b>	<b>25</b>	<b>23</b>	<b>22</b>	<b>19</b>	<b>17</b>	<b>15</b>	<b>14</b>	<b>12</b>	<b>9</b>

## TRACTION RESISTANCE

Belt width (mm)		200	250	300	400	450	500
Kevlar	Max Traction Load (N)	8350	10255	12310	16560	18610	20810
	Breaking Strength (N)	29240	35905	43090	57965	65150	72845
	Elongation at MTL (mm/m)	8	8	8	8	8	8

Average values

## FLEXION RESISTANCE



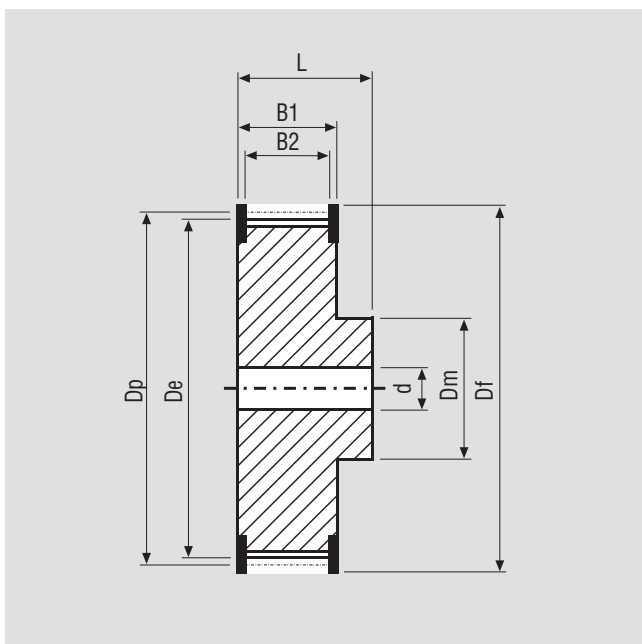
	Z min	Z min	Idler min dia (mm)	Z min	Idler min dia (mm)
Kevlar cords	15	20	60	15	60

## JOINED BELT INFORMATIONS

- Traction and tooth resistances = 50% less than open-end
- Joined belt can be used only in conveyor systems
- Rolls with NFT and NFB can be joined too
- Minimum diameters according above table



## PULLEYS (for more details please see our pulleys catalogue)



N° Teeth	Dp	De	N° Teeth	Dp	De
12	38,20	36,35	26	82,76	80,91
14	44,56	42,71	27	85,94	84,10
15	47,75	45,90	28	89,13	87,28
16	50,93	49,08	30	95,49	93,65
18	57,30	55,45	32	101,86	100,01
19	60,48	58,63	36	114,59	112,74
20	63,66	61,81	40	127,32	125,48
22	70,03	68,18	44	140,06	138,21
24	76,39	74,55	48	152,79	150,94
25	79,58	77,73	60	190,99	189,14

# MEGALINEAR T20 OPEN-END

## BELT CHARACTERISTICS

STANDARD WIDTHS (mm)	25	32	50	75	100	150
Weight (gr/m)	185	235	370	550	735	1095

Standard compound: **white Polyurethane thermoplastic 92 ShA**

Standard back cover: **none**

Standard tooth cover: **none**

Standard cords: **S and Z torsion zinked steel**

Standard width tolerance: **+/- 1 mm**

Standard thickness: **8 +/- 0,45 mm**

Standard length tolerance: **+/- 0,8 mm/m**

Standard roll length: **100 m**

Belt options on request with minimum quantity:

Nylon fabric back

Nylon fabric teeth

Antistatic nylon fabric

Transparent FDA compound

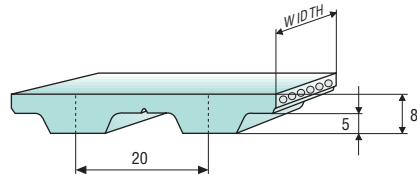
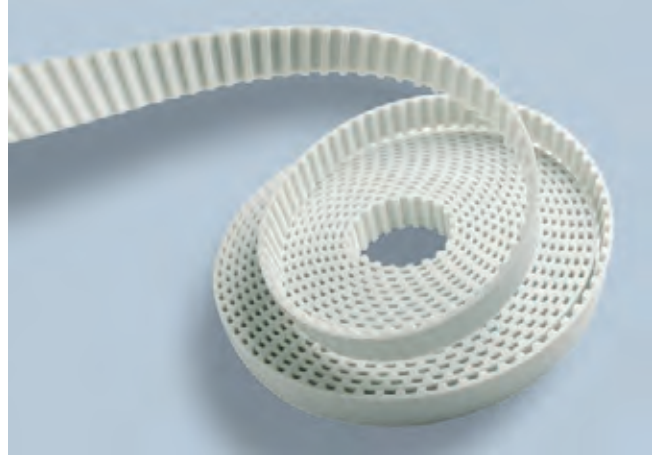
AVAFC 60/70/85 ShA

APL

Fishbone

Ribbed

Cleats



Different back coating materials see page 94

## TOOTH RESISTANCE

RPM (1/min)	0	20	40	60	80	100	200	300	400	500	750	1000	1500	2000	3000	4000	5000	8000
F <sub>p spec</sub> (N/cm)	102	98	95	93	91	89	81	76	72	68	62	57	50	45	38	33	29	-

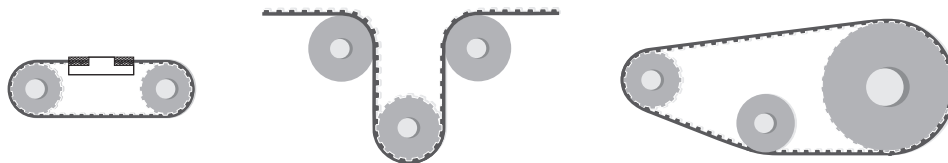
Minimum suggested number of teeth in clamp for linear movement: 7

## TRACTION RESISTANCE

Belt width (mm)		25	32	50	75	100	150
Steel	Max Traction Load (N)	3610	4510	7670	12350	16625	26815
	Breaking Strength (N)	14440	18050	30685	46930	63175	93860
	Elongation at MTL (mm/m)	4	4	4	4	4	4
Kevlar	Max Traction Load (N)	4215	5620	9135	14800	19975	32940
	Breaking Strength (N)	16870	22495	36555	56240	75920	115290
	Elongation at MTL (mm/m)	8	8	8	8	8	8
HP	Max Traction Load (N)	4930	6570	10680	17300	23350	38500
	Breaking Strength (N)	19720	26295	42730	65740	88745	134765
	Elongation at MTL (mm/m)	4	4	4	4	4	4
HF	Max Traction Load (N)	3740	4675	7950	12800	-	-
	Breaking Strength (N)	14970	18715	31815	48655	-	-
	Elongation at MTL (mm/m)	5	5	5	5	-	-
HPF	Max Traction Load (N)	5485	7315	11885	19250	-	-
	Breaking Strength (N)	21945	29260	47545	73150	-	-
	Elongation at MTL (mm/m)	5	5	5	5	-	-
Stainless	Max Traction Load (N)	2865	3585	6095	-	-	-
	Breaking Strength (N)	11475	14345	24385	-	-	-
	Elongation at MTL (mm/m)	3,8	3,8	3,8	-	-	-

Average values

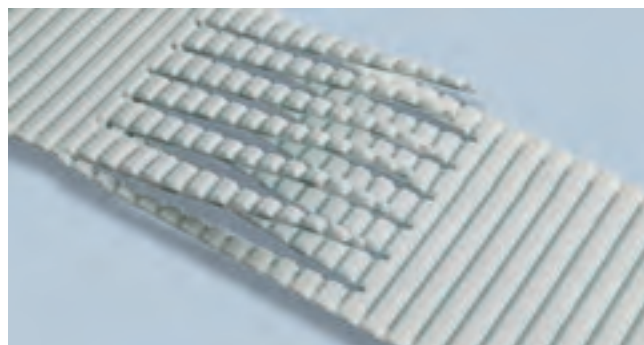
## FLEXION RESISTANCE



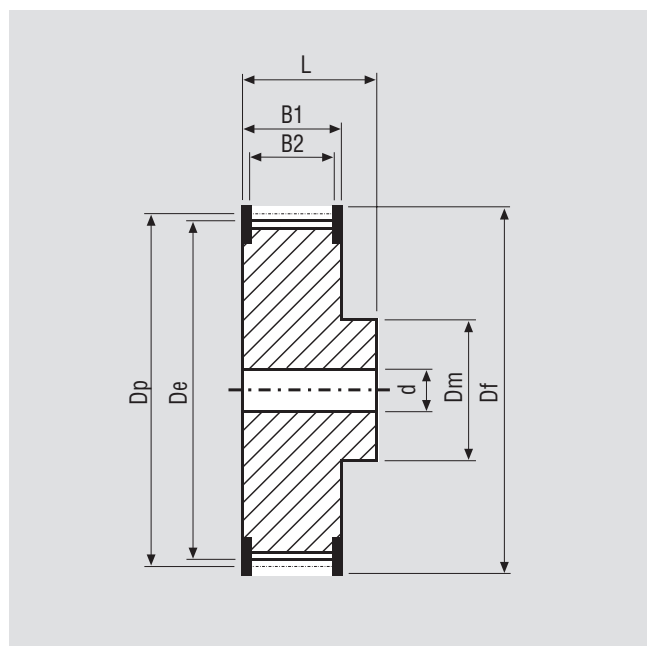
	Z min	Z min	Idler min dia (mm)	Z min	Idler min dia (mm)
Standard steel cords	15	25	120	15	120
Kevlar cords	15	25	120	15	120
High Power cords	20	25	150	20	150
High Flexibility cords	15	20	120	15	120
High Power Flexible cords	18	25	120	18	120
Stainless steel cords	20	25	130	20	130

## JOINED BELT INFORMATIONS

- Minimum splice length 900 mm
- Traction and tooth resistances = 50% less than open-end
- Joined belt can be used only in conveyor systems
- Rolls with NFT, NFB, AVAFC and APL can be joined too
- Minimum diameters according above table
- For coated belts, minimum diameters on page 94



## PULLEYS (for more details please see our pulleys catalogue)



N° Teeth	Dp	De	N° Teeth	Dp	De
15	95,54	92,69	30	190,99	188,13
18	114,59	111,73	32	203,72	200,86
20	127,32	124,47	36	229,18	226,33
22	140,06	137,20	40	254,65	251,80
24	152,79	149,93	48	305,58	302,73
25	159,15	156,30	60	381,97	379,12



# MEGALINEAR AT3 OPEN-END

## BELT CHARACTERISTICS

STANDARD WIDTHS (mm)	10	20	25	50
Weight (gr/m)	20	45	60	115

Standard compound: **white Polyurethane thermoplastic 92 ShA**

Standard back cover: **none**

Standard tooth cover: **none**

Standard cords: **S and Z torsion zinked steel**

Standard width tolerance: **+/- 0,5 mm**

Standard thickness: **1,9 +/- 0,1 mm**

Standard length tolerance: **+/- 0,5 mm/m**

Standard roll length: **100 m**

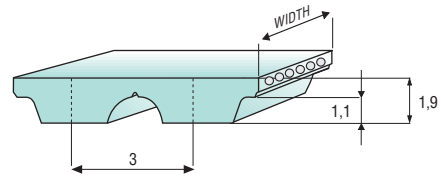
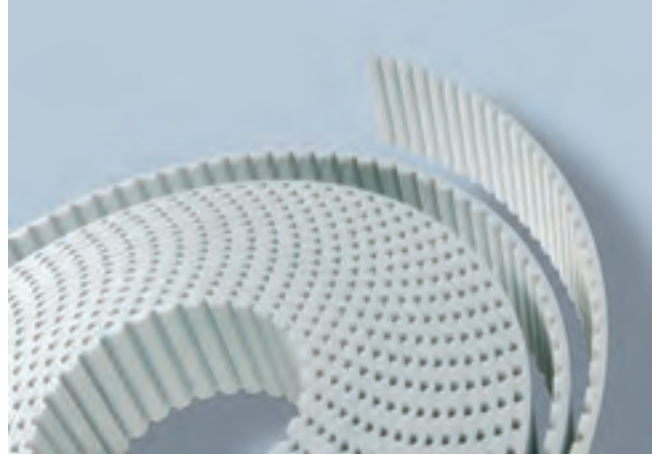
Belt options on request with minimum quantity:

Nylon fabric back

Nylon fabric teeth

Antistatic nylon fabric

Different back coating materials see page 94



## TOOTH RESISTANCE

RPM (1/min)	0	20	40	60	80	100	200	300	400	500	750	1000	1500	2000	3000	4000	5000	8000
F <sub>p spec</sub> (N/cm)	<b>24</b>	<b>24</b>	<b>24</b>	<b>23</b>	<b>23</b>	<b>23</b>	<b>22</b>	<b>21</b>	<b>21</b>	<b>20</b>	<b>19</b>	<b>18</b>	<b>16</b>	<b>15</b>	<b>14</b>	<b>13</b>	<b>12</b>	<b>10</b>

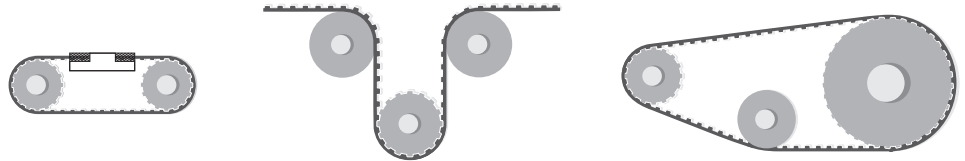
Minimum suggested number of teeth in clamp for linear movement: 7

## TRACTION RESISTANCE

Belt width (mm)		10	20	25	50
Steel	Max Traction Load (N)	385	775	1010	2060
	Breaking Strength (N)	1555	3115	4050	8255
	Elongation at MTL (mm/m)	4	4	4	4
Average values					



## FLEXION RESISTANCE



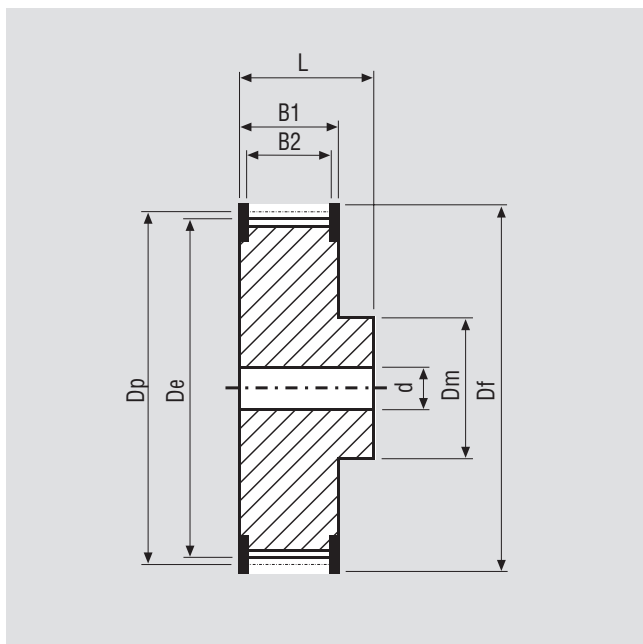
	Z min	Z min	Idler min dia (mm)	Z min	Idler min dia (mm)
Standard steel cords	20	25	30	20	30

## JOINED BELT INFORMATIONS

- Minimum splice length 900 mm
- Traction and tooth resistances = 50% less than open-end
- Joined belt can be used only in conveyor systems
- Rolls with NFT and NFB can be joined too
- Minimum diameters according above table
- For coated belts, minimum diameters on page 94



## PULLEYS (for more details please see our pulleys catalogue)



N° Teeth	Dp	De	N° Teeth	Dp	De
20	19,10	18,69	36	34,39	33,97
22	21,01	20,6	40	38,21	37,79
24	22,92	22,51	44	42,03	41,61
25	23,88	23,46	45	42,99	42,56
27	25,79	25,37	48	45,85	45,43
30	28,66	28,24	60	57,32	58,69
32	30,57	30,15	72	68,78	68,34

# MEGALINEAR AT5 OPEN-END

## BELT CHARACTERISTICS

STANDARD WIDTHS (mm)	6	10	16	25	32	50	75	100
Weight (gr/m)	20	35	50	80	105	165	245	340

Standard compound: **white Polyurethane thermoplastic 92 ShA**

Standard back cover: **none**

Standard tooth cover: **none**

Standard cords: **S and Z torsion zinked steel**

Standard width tolerance: **+/- 0,5 mm**

Standard thickness: **2,7 +/- 0,2 mm**

Standard length tolerance: **+/- 0,8 mm/m**

HP+HPF cord length tolerance **+0/- 0,8 mm/m**

Standard roll length: **100 m**

Belt options on request with minimum quantity:

Nylon fabric back

Nylon fabric teeth

Antistatic nylon fabric

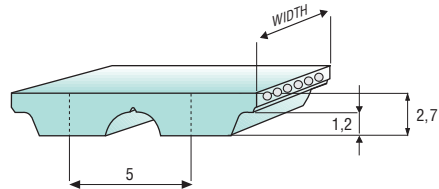
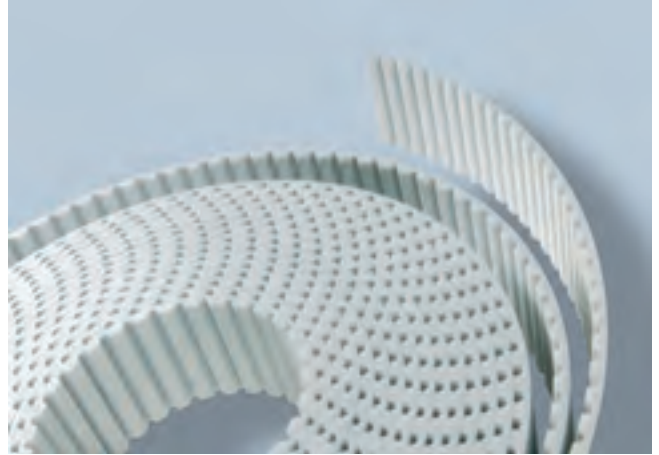
Transparent FDA compound

AVAFC 60/70/85 ShA

APL

Cleats

Different back coating materials see page 94



## TOOTH RESISTANCE

RPM (1/min)	0	20	40	60	80	100	200	300	400	500	750	1000	1500	2000	3000	4000	5000	8000
F <sub>p spec</sub> (N/cm)	<b>35</b>	<b>35</b>	<b>35</b>	<b>34</b>	<b>34</b>	<b>34</b>	<b>32</b>	<b>31</b>	<b>30</b>	<b>29</b>	<b>27</b>	<b>26</b>	<b>24</b>	<b>22</b>	<b>19</b>	<b>18</b>	<b>16</b>	<b>13</b>

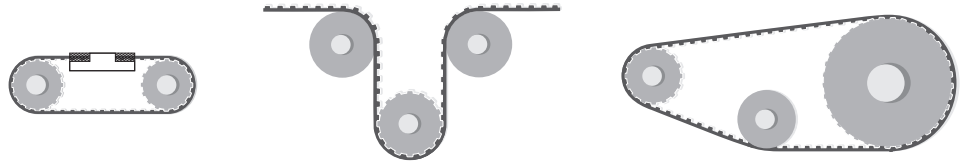
Minimum suggested number of teeth in clamp for linear movement: 7

## TRACTION RESISTANCE

Belt width (mm)		6	10	16	25	32	50	75	100
Steel	Max Traction Load (N)	380	635	1015	1715	2160	3560	4890	6565
	Breaking Strength (N)	1525	2545	4070	6870	8655	14255	18585	24950
	Elongation at MTL (mm/m)	4	4	4	4	4	4	4	4
Kevlar	Max Traction Load (N)	395	665	1060	1795	2260	3720	5110	6860
	Breaking Strength (N)	1595	2660	4255	7180	9040	14895	19415	26065
	Elongation at MTL (mm/m)	8	8	8	8	8	8	8	8
HP	Max Traction Load (N)	-	795	1395	2290	2890	4785	-	-
	Breaking Strength (N)	-	3190	5585	9175	11570	19150	-	-
	Elongation at MTL (mm/m)	-	4	4	4	4	4	-	-
HF	Max Traction Load (N)	-	590	950	1600	2015	3325	-	-
	Breaking Strength (N)	-	2375	3800	6410	8075	13300	-	-
	Elongation at MTL (mm/m)	-	5	5	5	5	5	-	-
HPF	Max Traction Load (N)	-	835	1460	2400	3030	5015	-	-
	Breaking Strength (N)	-	3340	5850	9610	12120	20060	-	-
	Elongation at MTL (mm/m)	-	5	5	5	5	5	-	-
Stainless	Max Traction Load (N)	310	520	835	1410	-	-	-	-
	Breaking Strength (N)	1250	2090	3340	5640	-	-	-	-
	Elongation at MTL (mm/m)	3,8	3,8	3,8	3,8	-	-	-	-

Average values

## FLEXION RESISTANCE



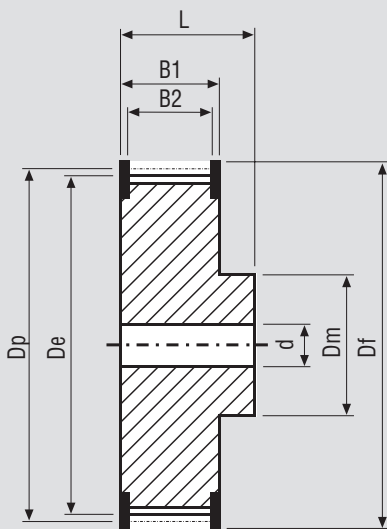
	Z min	Z min	Idler min dia (mm)	Z min	Idler min dia (mm)
Standard steel cords	15	15	60	15	25
Kevlar cords	15	25	60	15	25
High Power cords	25	25	60	25	40
High Flexibility cords	12	13	40	12	25
High Power Flexible cords	20	24	40	20	40
Stainless steel cords	15	18	65	15	60

## JOINED BELT INFORMATIONS

- Minimum splice length 900 mm
- Traction and tooth resistances = 50% less than open-end
- Joined belt can be used only in conveyor systems
- Rolls with NFT, NFB, AVAFC and APL can be joined too
- Minimum diameters according above table
- For coated belts, minimum diameters on page 94



## PULLEYS (for more details please see our pulleys catalogue)



N° Teeth	Dp	De	N° Teeth	Dp	De
15	23,87	22,64	28	44,56	43,33
16	25,46	24,24	30	47,75	46,52
18	28,65	27,42	32	50,93	49,70
19	30,24	29,01	36	57,30	56,07
20	31,83	30,60	40	63,66	62,43
22	35,01	33,79	42	66,85	65,62
24	38,20	36,97	44	70,03	68,80
25	39,79	38,56	48	76,39	75,17
26	41,38	40,15	60	95,49	94,27
27	42,97	41,74			

# MEGALINEAR AT10 OPEN-END

## BELT CHARACTERISTICS

STANDARD WIDTHS (mm)	16	25	32	50	75	100	150
Weight (gr/m)	90	160	185	290	435	580	890

Standard compound: **white Polyurethane thermoplastic 92 ShA**

Standard back cover: **none**

Standard tooth cover: **none**

Standard cords: **S and Z torsion zinked steel**

Standard width tolerance: **+/- 0,5 mm**

Standard thickness: **4,5 +/- 0,3 mm**

Standard length tolerance: **+/- 0,8 mm/m**

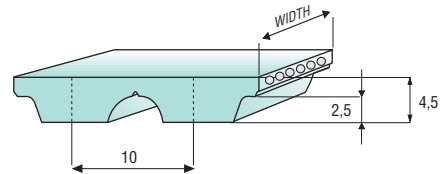
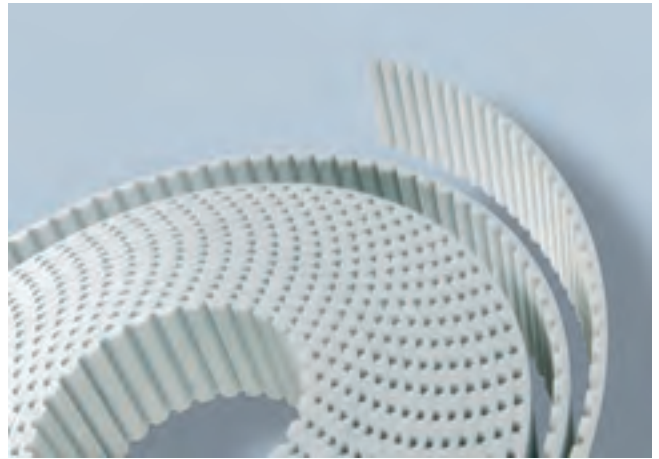
HP+HPF cord length tolerance **+0/- 0,8 mm/m**

Standard roll length: **100 m**

Belt options on request with minimum quantity:

- Nylon fabric back
- Nylon fabric teeth
- Antistatic nylon fabric
- Transparent FDA compound
- AVAFC 60/70/85 ShA
- APL
- Fishbone
- Ribbed
- Cleats

Different back coating materials see page 94



## TOOTH RESISTANCE

RPM (1/min)	0	20	40	60	80	100	200	300	400	500	750	1000	1500	2000	3000	4000	5000	8000
F <sub>p spec</sub> (N/cm)	<b>74</b>	<b>72</b>	<b>71</b>	<b>71</b>	<b>70</b>	<b>69</b>	<b>65</b>	<b>62</b>	<b>60</b>	<b>58</b>	<b>53</b>	<b>50</b>	<b>44</b>	<b>40</b>	<b>35</b>	<b>30</b>	<b>27</b>	<b>20</b>

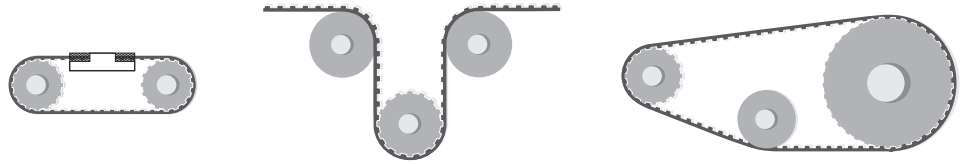
Minimum suggested number of teeth in clamp for linear movement: 7 - HP/HPF cords minimum suggested number of teeth in clamp: 10

## TRACTION RESISTANCE

Belt width (mm)		16	25	32	50	75	100	150
Steel	Max Traction Load (N)	2030	3610	4510	7670	12350	16625	26815
	Breaking Strength (N)	8120	14440	18050	30685	46930	63175	93860
	Elongation at MTL (mm/m)	4	4	4	4	4	4	4
Kevlar	Max Traction Load (N)	2105	4215	5620	9135	14800	19980	32940
	Breaking Strength (N)	8435	16870	22495	36555	56240	75920	115290
	Elongation at MTL (mm/m)	8	8	8	8	8	8	8
HP	Max Traction Load (N)	3285	4930	6570	10680	17300	23355	38500
	Breaking Strength (N)	13145	19720	26295	42730	65740	88745	134765
	Elongation at MTL (mm/m)	4	4	4	4	4	4	4
HF	Max Traction Load (N)	2105	3740	4675	7950	12805	17235	27805
	Breaking Strength (N)	8420	14970	18715	31815	48655	65500	97315
	Elongation at MTL (mm/m)	5	5	5	5	5	5	5
HPF	Max Traction Load (N)	3655	5485	7315	11885	19250	25985	42845
	Breaking Strength (N)	14630	21945	29260	47545	73150	98750	149955
	Elongation at MTL (mm/m)	5	5	5	5	5	5	5
Stainless	Max Traction Load (N)	1610	2865	3585	6095	-	-	-
	Breaking Strength (N)	6455	11475	14345	24385	-	-	-
	Elongation at MTL (mm/m)	3,8	3,8	3,8	3,8	-	-	-

Average values

## FLEXION RESISTANCE



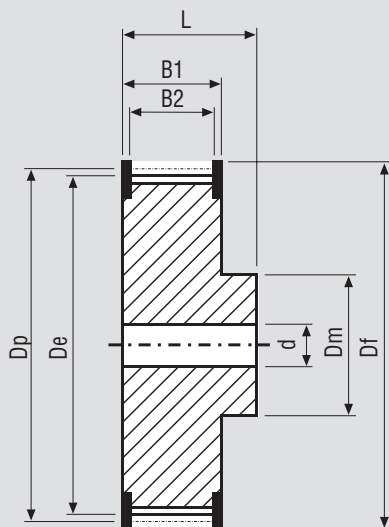
	Z min	Z min	Idler min dia (mm)	Z min	Idler min dia (mm)
Standard steel cords	15	20	120	15	50
Kevlar cords	15	20	120	15	50
High Power cords	25	25	150	25	80
High Flexibility cords	15	20	80	15	50
High Power Flexible cords	16	20	100	16	60
Stainless steel cords	19	25	110	19	110

## JOINED BELT INFORMATIONS

- Minimum splice length 900 mm
- Traction and tooth resistances = 50% less than open-end
- Joined belt can be used only in conveyor systems
- Rolls with NFT, NFB, AVAFC and APL can be joined too
- Minimum diameters according above table
- For coated belts, minimum diameters on page 94



## PULLEYS (for more details please see our pulleys catalogue)



N° Teeth	Dp	De	N° Teeth	Dp	De
15	47,75	45,90	27	85,94	84,10
16	50,93	49,08	28	89,13	87,28
18	57,30	55,45	30	95,49	93,65
19	60,48	58,63	32	101,86	100,01
20	63,66	61,81	36	114,59	112,74
22	70,03	68,18	40	127,32	125,48
24	76,39	74,55	44	140,06	138,21
25	79,58	77,73	48	152,79	150,94
26	82,76	80,91	60	190,99	189,14

# MEGALINEAR AT10 WITHOUT GAP OPEN-END

## BELT CHARACTERISTICS

STANDARD WIDTHS (mm)	25	32	50	75	100
Weight (gr/m)	160	205	320	480	640

Standard compound: **white Polyurethane thermoplastic 92 ShA**

Standard back cover: **none**

Standard tooth cover: **none**

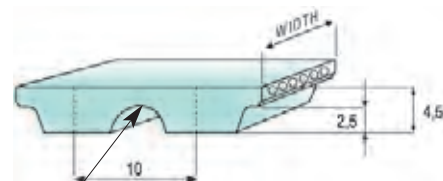
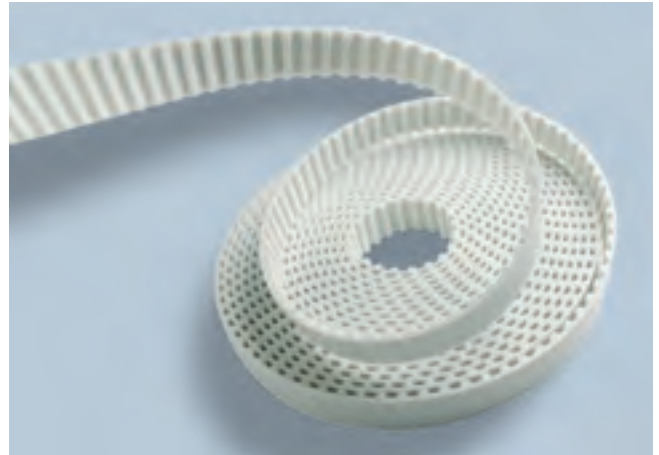
Standard cords: **S and Z torsion zinked steel**

Standard width tolerance: **+/- 0,5 mm**

Standard thickness: **4,5 +/- 0,3 mm**

Standard length tolerance: **+/- 0,8 mm/m**

Standard roll length: **100 m**



without GAP

## TOOTH RESISTANCE

RPM (1/min)	0	20	40	60	80	100	200	300	400	500	750	1000	1500	2000	3000	4000	5000	8000
F <sub>p spec</sub> (N/cm)	<b>74</b>	<b>72</b>	<b>71</b>	<b>71</b>	<b>70</b>	<b>69</b>	<b>65</b>	<b>62</b>	<b>60</b>	<b>58</b>	<b>53</b>	<b>50</b>	<b>44</b>	<b>40</b>	<b>35</b>	<b>30</b>	<b>27</b>	<b>20</b>

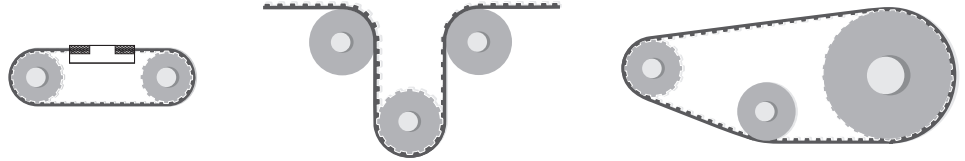
## TRACTION RESISTANCE

Belt width (mm)		25	32	50	75	100
Steel	Max Traction Load (N)	3380	4285	7445	12110	15565
	Breaking Strength (N)	13500	17145	29780	46025	62270
	Elongation at MTL (mm/m)	4	4	4	4	4
Average values						



# MEGALINEAR AT10 WITHOUT GAP OPEN-END

## FLEXION RESISTANCE

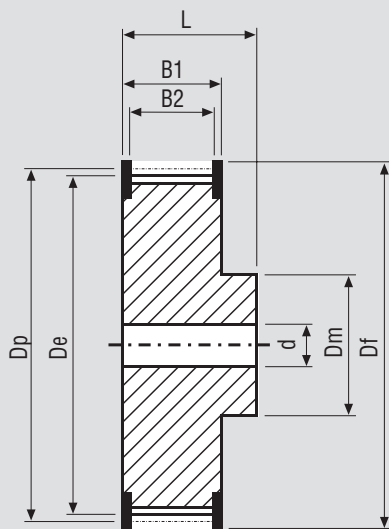


	Z min	Z min	Idler min dia (mm)	Z min	Idler min dia (mm)
Standard steel cords	15	20	120	15	50

## TYPICAL APPLICATION - CAR WASHING MACHINE



## PULLEYS (for more details please see our pulleys catalogue)



N° Teeth	Dp	De	N° Teeth	Dp	De
15	47,75	45,90	27	85,94	84,10
16	50,93	49,08	28	89,13	87,28
18	57,30	55,45	30	95,49	93,65
19	60,48	58,63	32	101,86	100,01
20	63,66	61,81	36	114,59	112,74
22	70,03	68,18	40	127,32	125,48
24	76,39	74,55	44	140,06	138,21
25	79,58	77,73	48	152,79	150,94
26	82,76	80,91	60	190,99	189,14



# MEGALINEAR AT20 OPEN-END

## BELT CHARACTERISTICS

STANDARD WIDTHS (mm)	25	32	50	75	100	150	200
Weight (gr/m)	225	310	480	720	960	1425	1935

Standard compound: **white Polyurethane thermoplastic 92 ShA**

Standard back cover: **none**

Standard tooth cover: **none**

Standard cords: **S and Z torsion zinked steel**

Standard width tolerance: **+/- 1 mm**

Standard thickness: **8 +/- 0,45 mm**

Standard length tolerance: **+/- 0,8 mm/m**

HP+HPF cord length tolerance **+0/- 0,8 mm/m**

Standard roll length: **100 m**

Belt options on request with minimum quantity:

Nylon fabric back

Nylon fabric teeth

Antistatic nylon fabric

Transparent FDA compound

AVAFC 60/70/85 ShA

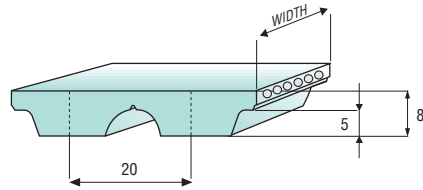
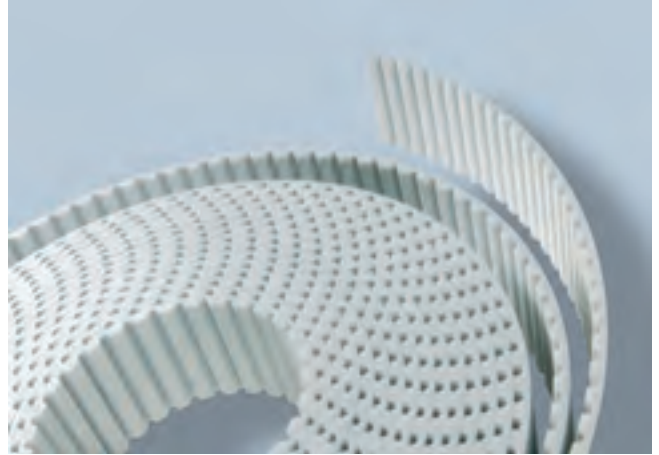
APL

Fishbone

Ribbed

Cleats

Different back coating materials see page 94



## TOOTH RESISTANCE

RPM (1/min)	0	20	40	60	80	100	200	300	400	500	750	1000	1500	2000	3000	4000	5000	8000
$F_{p\ spec}$ (N/cm)	147	144	142	139	137	135	126	119	112	107	97	88	76	67	58	43	35	-

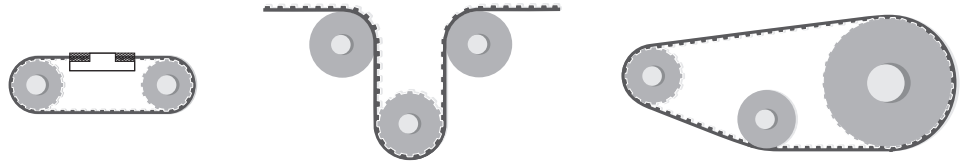
Minimum suggested number of teeth in clamp for linear movement: 7

## TRACTION RESISTANCE

Belt width (mm)		25	32	50	75	100	150	200
Steel	Max Traction Load (N)	4930	6570	10680	17300	23355	38500	48835
	Breaking Strength (N)	19720	26295	42730	65740	88745	134765	170920
	Elongation at MTL (mm/m)	4	4	4	4	4	4	4
Kevlar	Max Traction Load (N)	4215	5620	9135	14800	19980	32940	41775
	Breaking Strength (N)	16870	22495	36555	56240	75920	115290	146220
	Elongation at MTL (mm/m)	8	8	8	8	8	8	8
HP	Max Traction Load (N)	-	9880	15200	24000	32000	53850	71220
	Breaking Strength (N)	-	39520	60800	91200	121600	188480	249280
	Elongation at MTL (mm/m)	-	4	4	4	4	4	4
HF	Max Traction Load (N)	5485	7315	11885	19250	25985	42845	54340
	Breaking Strength (N)	21945	29260	47545	73150	98750	149955	190190
	Elongation at MTL (mm/m)	5	5	5	5	5	5	5

Average values

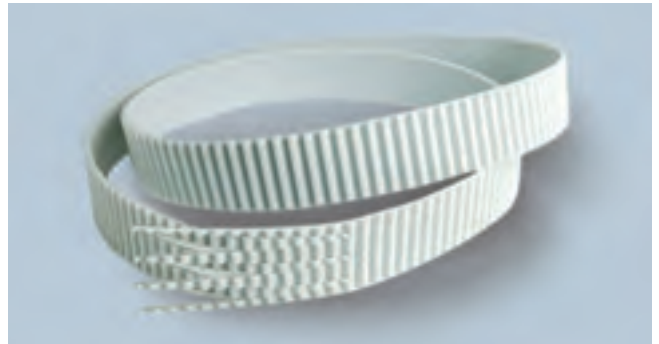
## FLEXION RESISTANCE



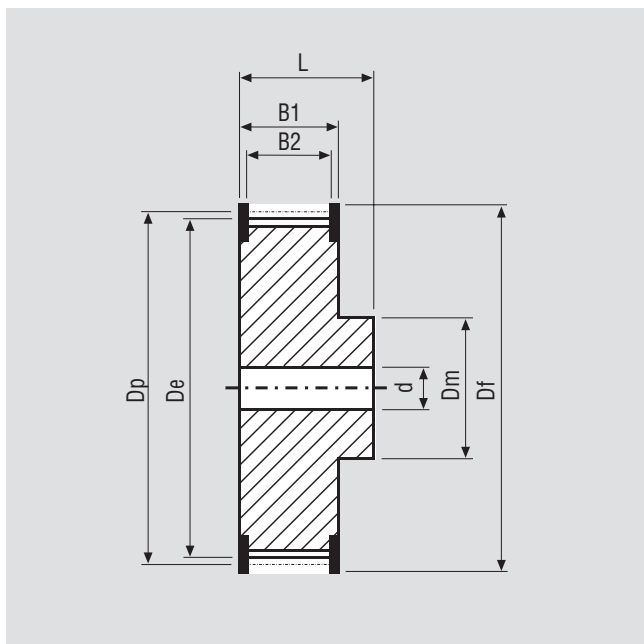
	Z min	Z min	Idler min dia (mm)	Z min	Idler min dia (mm)
Standard steel cords	18	25	180	18	120
Kevlar cords	18	25	180	18	120
High Power cords	25	25	250	25	160
High Flexibility cords	18	25	150	18	120

## JOINED BELT INFORMATIONS

- Minimum splice length 900 mm
- Traction and tooth resistances = 50% less than open-end
- Joined belt can be used only in conveyor systems
- Rolls with NFT, NFB, AVAFC and APL can be joined too
- Minimum diameters according above table
- For coated belts, minimum diameters on page 94



## PULLEYS (for more details please see our pulleys catalogue)



N° Teeth	Dp	De	N° Teeth	Dp	De
18	114,59	111,73	32	203,72	200,86
20	127,32	124,47	36	229,18	226,33
22	140,06	137,20	40	254,65	251,80
24	152,79	149,93	48	305,58	302,73
25	159,15	156,30	60	381,97	379,12
30	190,99	188,13			

# MEGALINEAR MTD3 OPEN-END

## BELT CHARACTERISTICS

STANDARD WIDTHS (mm)	10	20	25	50
Weight (gr/m)	20	45	60	115

Standard compound: **white Polyurethane thermoplastic 92 ShA**

Standard back cover: **none**

Standard tooth cover: **none**

Standard cords: **S and Z torsion zinked steel**

Standard width tolerance: **+/- 0,3 mm**

Standard thickness: **2,2 +/- 0,15 mm**

Standard length tolerance: **+/- 0,5 mm/m**

Standard roll length: **100 m**

Belt options on request with minimum quantity:

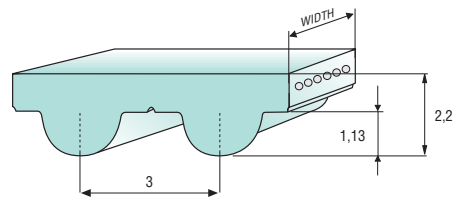
Nylon fabric back

Nylon fabric teeth

Antistatic nylon fabric

Transparent FDA compound

Different back coating materials see page 94



## TOOTH RESISTANCE

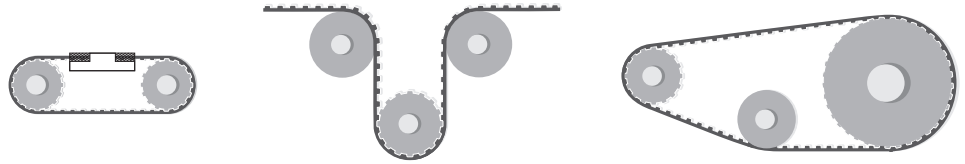
RPM (1/min)	0	20	40	60	80	100	200	300	400	500	750	1000	1500	2000	3000	4000	5000	8000
F <sub>p spec</sub> (N/cm)	<b>23</b>	<b>23</b>	<b>22</b>	<b>22</b>	<b>22</b>	<b>22</b>	<b>21</b>	<b>20</b>	<b>20</b>	<b>19</b>	<b>18</b>	<b>17</b>	<b>16</b>	<b>15</b>	<b>13</b>	<b>12</b>	<b>11</b>	<b>9</b>

Minimum suggested number of teeth in clamp for linear movement: 7

## TRACTION RESISTANCE

Belt width (mm)		10	20	25	50
Steel	Max Traction Load (N)	385	775	1010	2060
	Breaking Strength (N)	1555	3115	4050	8255
	Elongation at MTL (mm/m)	4	4	4	4
Average values					

## FLEXION RESISTANCE



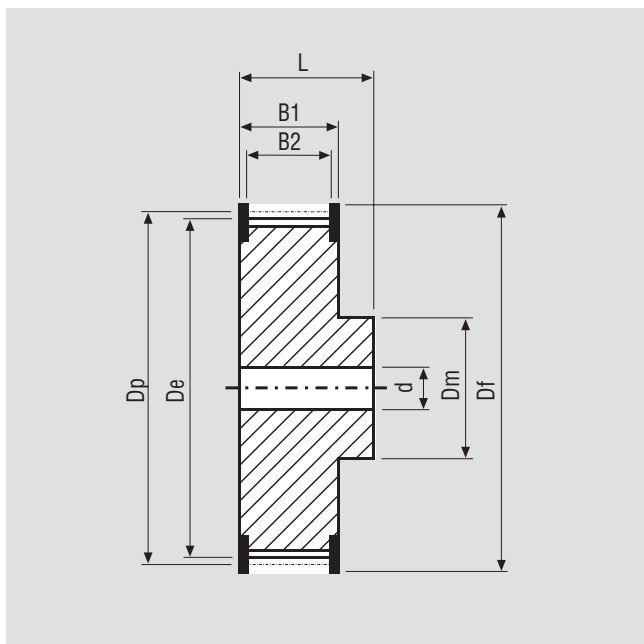
	Z min	Z min	Idler min dia (mm)	Z min	Idler min dia (mm)
Standard steel cords	20	20	30	20	30

## JOINED BELT INFORMATIONS

- Minimum splice length 900 mm
- Traction and tooth resistances = 50% less than open-end
- Joined belt can be used only in conveyor systems
- Rolls with NFT and NFB can be joined too
- Minimum diameters according above table
- For coated belts, minimum diameters on page 94



## PULLEYS (for more details please see our pulleys catalogue)



N° Teeth	Dp	De	N° Teeth	Dp	De
20	19,10	18,34	32	30,56	29,80
21	20,05	19,29	36	34,38	33,62
22	21,01	20,25	40	38,20	37,44
24	22,92	22,16	44	42,02	41,25
26	24,83	24,07	48	45,84	45,07
28	26,74	25,98	60	57,30	56,53
30	28,65	27,89	72	68,75	67,99

# MEGALINEAR MTD5 OPEN-END

## BELT CHARACTERISTICS

STANDARD WIDTHS (mm)	10	15	25	50
Weight (gr/m)	35	50	80	165

Standard compound: **white Polyurethane thermoplastic 92 ShA**

Standard back cover: **none**

Standard tooth cover: **none**

Standard cords: **S and Z torsion zinked steel**

Standard width tolerance: **+/- 0,5 mm**

Standard thickness: **3,6 +/- 0,2 mm**

Standard length tolerance: **+/- 0,8 mm/m**

Standard roll length: **100 m**

Belt options on request with minimum quantity:

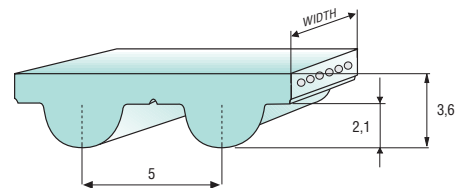
Nylon fabric back

Nylon fabric teeth

Antistatic nylon fabric

Cleats

Different back coating materials see page 94



## TOOTH RESISTANCE

RPM (1/min)	0	20	40	60	80	100	200	300	400	500	750	1000	1500	2000	3000	4000	5000	8000
$F_{p\ spec}$ (N/cm)	<b>34</b>	<b>34</b>	<b>33</b>	<b>33</b>	<b>33</b>	<b>32</b>	<b>31</b>	<b>30</b>	<b>29</b>	<b>28</b>	<b>26</b>	<b>25</b>	<b>23</b>	<b>21</b>	<b>19</b>	<b>17</b>	<b>16</b>	<b>13</b>

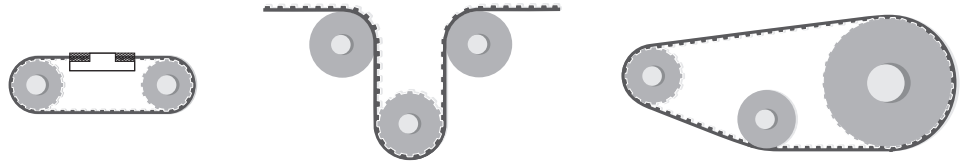
Minimum suggested number of teeth in clamp for linear movement: 7

## TRACTION RESISTANCE

Belt width (mm)		10	15	25	50
Steel	Max Traction Load (N)	635	950	1715	3560
	Breaking Strength (N)	2545	3815	6870	14255
	Elongation at MTL (mm/m)	4	4	4	4
Kevlar	Max Traction Load (N)	665	995	1795	3720
	Breaking Strength (N)	2660	3990	7180	14895
	Elongation at MTL (mm/m)	8	8	8	8
Stainless	Max Traction Load (N)	520	780	1410	-
	Breaking Strength (N)	2090	3135	5640	-
	Elongation at MTL (mm/m)	3,8	3,8	3,8	-

Average values

## FLEXION RESISTANCE



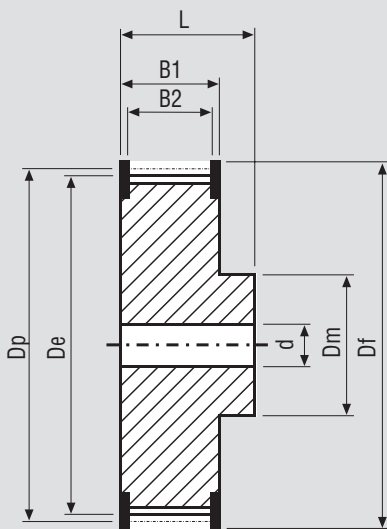
	Z min	Z min	Idler min dia (mm)	Z min	Idler min dia (mm)
Standard steel cords	16	16	50	16	25
Kevlar cords	16	16	50	16	25
Stainless steel cords	18	20	65	18	65

## JOINED BELT INFORMATIONS

- Minimum splice length 900 mm
- Traction and tooth resistances = 50% less than open-end
- Joined belt can be used only in conveyor systems
- Rolls with NFT, NFB, AVAFC and APL can be joined too
- Minimum diameters according above table
- For coated belts, minimum diameters on page 94



## PULLEYS (for more details please see our pulleys catalogue)



N° Teeth	Dp	De	N° Teeth	Dp	De
16	25,46	24,32	30	47,75	46,60
18	28,65	27,50	32	50,93	49,79
20	31,83	30,69	36	57,30	56,15
21	33,42	32,28	40	63,66	62,52
22	35,01	33,87	44	70,03	68,89
24	38,20	37,05	48	76,39	75,25
26	41,38	40,24	60	95,49	94,35
28	44,56	43,42	72	114,59	113,45

# MEGALINEAR MTD8 OPEN-END

## BELT CHARACTERISTICS

STANDARD WIDTHS (mm)	10	15	20	30	50	85	100
Weight (gr/m)	65	85	120	185	325	530	650

Standard compound: **white Polyurethane thermoplastic 92 ShA**

Standard back cover: **none**

Standard tooth cover: **none**

Standard cords: **S and Z torsion zinked steel**

Standard width tolerance: **+/- 0,5 mm**

Standard thickness: **5,6 +/- 0,3 mm**

Standard length tolerance: **+/- 0,8 mm/m**

Standard roll length: **100 m**

Belt options on request with minimum quantity:

Nylon fabric back

Nylon fabric teeth

Antistatic nylon fabric

Transparent FDA compound

AVAFC 60/70/85 ShA

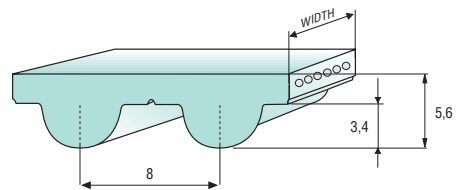
APL

Fishbone

Ribbed

Cleats

Different back coating materials see page 94



## TOOTH RESISTANCE

RPM (1/min)	0	20	40	60	80	100	200	300	400	500	750	1000	1500	2000	3000	4000	5000	8000
$F_{p\ spec}$ (N/cm)	<b>67</b>	<b>66</b>	<b>65</b>	<b>64</b>	<b>63</b>	<b>63</b>	<b>59</b>	<b>57</b>	<b>54</b>	<b>52</b>	<b>48</b>	<b>45</b>	<b>40</b>	<b>37</b>	<b>31</b>	<b>28</b>	<b>24</b>	<b>18</b>

Minimum suggested number of teeth in clamp for linear movement: 7

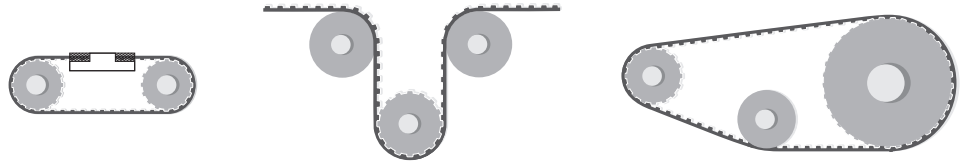
## TRACTION RESISTANCE

	Belt width (mm)	10	15	20	30	50	85	100
HP = Standard	Max Traction Load (N)	1350	2030	2930	4510	7670	14010	16625
	Breaking Strength (N)	5415	8120	11730	18050	30685	53245	63175
	Elongation at MTL (mm/m)	4	4	4	4	4	4	4
Kevlar	Max Traction Load (N)	765	1150	1535	2565	4360	7965	9450
	Breaking Strength (N)	3075	4615	6155	10260	17440	30265	35910
	Elongation at MTL (mm/m)	8	8	8	8	8	8	8
HF	Max Traction Load (N)	795	1295	1795	2790	4785	8715	10290
	Breaking Strength (N)	3190	5185	7180	11170	19150	33115	39100
	Elongation at MTL (mm/m)	5	5	5	5	5	5	5
Stainless	Max Traction Load (N)	1075	1610	2330	3585	6095	-	-
	Breaking Strength (N)	4300	6455	9320	14345	24385	-	-
	Elongation at MTL (mm/m)	3,8	3,8	3,8	3,8	3,8	-	-

Average values



## FLEXION RESISTANCE



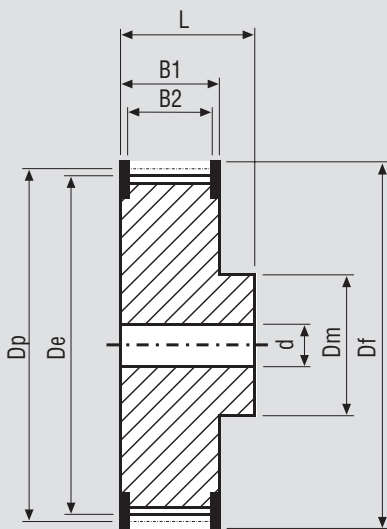
	Z min	Z min	Idler min dia (mm)	Z min	Idler min dia (mm)
HP = Standard	20	22	100	20	50
Kevlar cords	20	22	100	20	50
High Flexibility cords	20	20	80	20	40
Stainless steel cords	24	28	110	24	80

## JOINED BELT INFORMATIONS

- Minimum splice length 900 mm
- Traction and tooth resistances = 50% less than open-end
- Joined belt can be used only in conveyor systems
- Rolls with NFT, NFB, AVAFC and APL can be joined too
- Minimum diameters according above table
- For coated belts, minimum diameters on page 94



## PULLEYS (for more details please see our pulleys catalogue)



N° Teeth	Dp	De	N° Teeth	Dp	De
20	50,95	49,58	44	112,05	110,67
22	56,02	54,65	48	122,23	141,23
24	61,12	59,75	56	142,60	141,23
26	66,21	64,84	64	162,97	161,60
28	71,30	70,08	72	183,35	181,97
30	76,39	75,13	80	203,72	202,35
32	81,49	80,16	90	229,18	227,81
34	86,58	85,22	112	285,21	283,83
36	91,67	90,30	144	366,69	365,32
38	96,77	95,39	168	427,81	426,44
40	101,86	100,49	192	488,92	487,55

# MEGALINEAR MTD14 OPEN-END

## BELT CHARACTERISTICS

STANDARD WIDTHS (mm)	25	40	55	85	100	115
Weight (gr/m)	260	400	555	850	1000	1150

Standard compound: **white Polyurethane thermoplastic 92 ShA**

Standard back cover: **none**

Standard tooth cover: **none**

Standard cords: **S and Z torsion zinked steel**

Standard width tolerance: **+/- 1 mm**

Standard thickness: **10 +/- 0,45 mm**

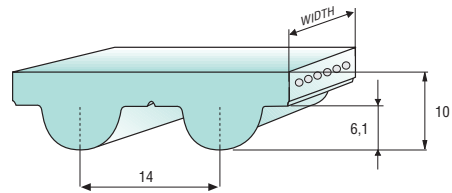
Standard length tolerance: **+/- 0,8 mm/m**

Standard roll length: **100 m**

Belt options on request with minimum quantity:

- Nylon fabric back
- Nylon fabric teeth
- Antistatic nylon fabric
- Transparent FDA compound
- AVAFC 60/70/85 ShA
- APL
- Fishbone
- Ribbed
- Cleats

Different back coating materials see page 94



## TOOTH RESISTANCE

RPM (1/min)	0	20	40	60	80	100	200	300	400	500	750	1000	1500	2000	3000	4000	5000	8000
F <sub>p spec</sub> (N/cm)	<b>115</b>	<b>113</b>	<b>111</b>	<b>109</b>	<b>108</b>	<b>106</b>	<b>99</b>	<b>93</b>	<b>88</b>	<b>84</b>	<b>76</b>	<b>69</b>	<b>60</b>	<b>52</b>	<b>46</b>	<b>34</b>	<b>28</b>	-

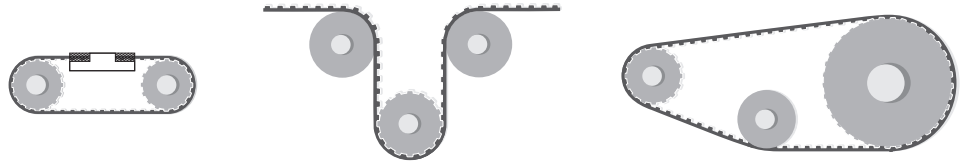
Minimum suggested number of teeth in clamp for linear movement: 7

## TRACTION RESISTANCE

Belt width (mm)		25	40	55	85	100	115
Steel	Max Traction Load (N)	5340	8215	12110	19460	23355	28640
	Breaking Strength (N)	21365	32870	46015	73955	88745	100250
	Elongation at MTL (mm/m)	4	4	4	4	4	4
Kevlar	Max Traction Load (N)	4215	7030	10360	16650	19980	24500
	Breaking Strength (N)	16870	28120	39365	63270	75920	85765
	Elongation at MTL (mm/m)	8	8	8	8	8	8

Average values

## FLEXION RESISTANCE



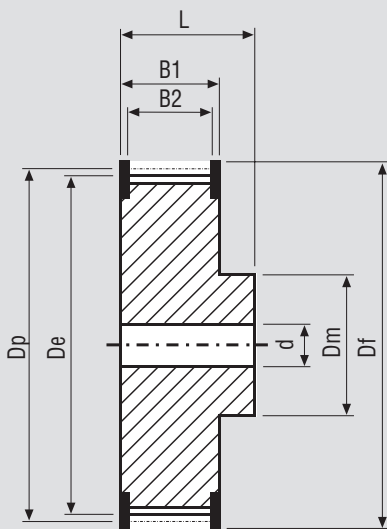
	Z min	Z min	Idler min dia (mm)	Z min	Idler min dia (mm)
Standard steel cords	26	28	180	26	120
Kevlar cords	26	28	180	26	120

## JOINED BELT INFORMATIONS

- Minimum splice length 900 mm
- Traction and tooth resistances = 50% less than open-end
- Joined belt can be used only in conveyor systems
- Rolls with NFT, NFB, AVAFC and APL can be joined too
- Minimum diameters according above table
- For coated belts, minimum diameters on page 94



## PULLEYS (for more details please see our pulleys catalogue)



N° Teeth	Dp	De	N° Teeth	Dp	De
26	115,92	113,13	56	249,55	246,76
28	124,78	121,98	64	285,21	282,41
29	129,23	126,44	72	320,86	318,06
30	133,69	130,90	80	356,51	353,71
32	142,60	139,81	90	401,07	398,28
34	151,51	148,72	112	499,11	496,32
36	160,43	157,68	144	641,71	638,92
38	169,34	166,60	168	748,66	745,87
40	178,25	175,49	192	855,62	852,82
44	196,08	193,28	216	962,57	959,76
48	213,90	211,11			

# MEGALINEAR RPP5 OPEN-END

## BELT CHARACTERISTICS

STANDARD WIDTHS (mm)	10	15	25	30	50	75
Weight (gr/m)	40	60	100	120	195	292

Standard compound: **white Polyurethane thermoplastic 92 ShA**

Standard back cover: **none**

Standard tooth cover: **nylon fabric (NFT)**

Standard cords: **S and Z torsion zinked steel**

Standard width tolerance: **+/- 0,5 mm**

Standard thickness: **3,8 +/- 0,2 mm**

Standard length tolerance: **+/- 0,8 mm/m**

Standard roll length: **100 m**

Belt options on request with minimum quantity:

Nylon fabric back

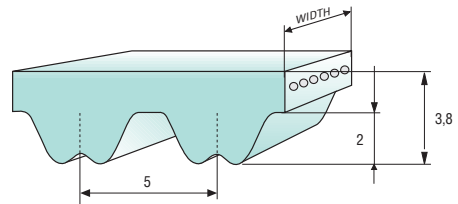
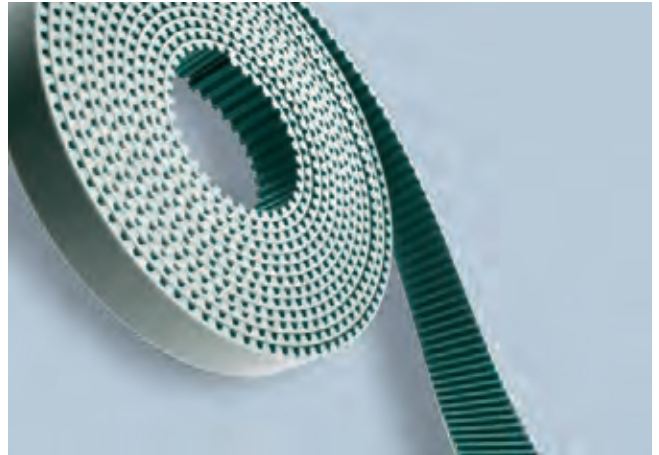
Antistatic nylon fabric

AVAFC 60/70/85 ShA

APL

Cleats

Different back coating materials see page 94



## TOOTH RESISTANCE

RPM (1/min)	0	20	40	60	80	100	200	300	400	500	750	1000	1500	2000	3000	4000	5000	8000
$F_{p\ spec}$ (N/cm)	<b>37</b>	<b>36</b>	<b>36</b>	<b>36</b>	<b>35</b>	<b>35</b>	<b>33</b>	<b>32</b>	<b>30</b>	<b>30</b>	<b>27</b>	<b>26</b>	<b>24</b>	<b>23</b>	<b>21</b>	<b>19</b>	<b>18</b>	<b>15</b>

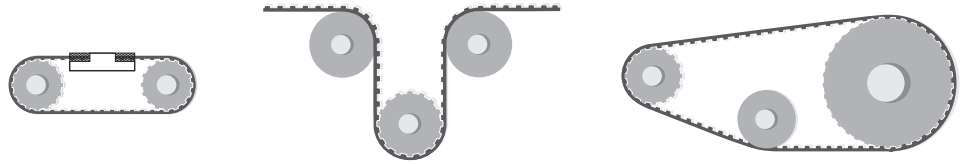
Minimum suggested number of teeth in clamp for linear movement: 7

## TRACTION RESISTANCE

Belt width (mm)		10	15	25	30	50	75
Steel	Max Traction Load (N)	635	950	1715	2100	3560	5690
	Breaking Strength (N)	2545	3815	6870	8400	14255	21640
	Elongation at MTL (mm/m)	4	4	4	4	4	4
Kevlar	Max Traction Load (N)	665	995	1795	2190	3720	-
	Breaking Strength (N)	2660	3990	7180	8775	14895	-
	Elongation at MTL (mm/m)	8	8	8	8	8	-
Stainless	Max Traction Load (N)	520	780	1410	-	-	-
	Breaking Strength (N)	2090	3135	5640	-	-	-
	Elongation at MTL (mm/m)	3,8	3,8	3,8	-	-	-

Average values

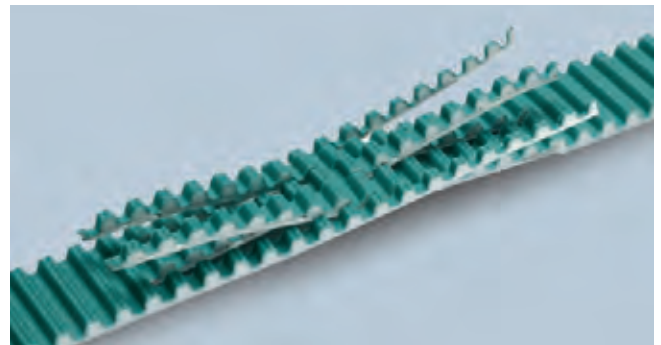
## FLEXION RESISTANCE



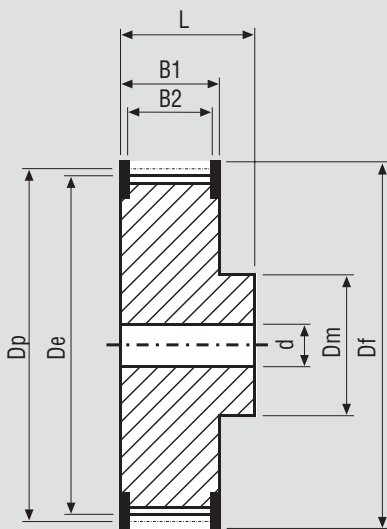
	Z min	Z min	Idler min dia (mm)	Z min	Idler min dia (mm)
Standard steel cords	15	16	60	15	20
Kevlar cords	15	16	60	15	20
Stainless steel cords	18	18	65	18	65

## JOINED BELT INFORMATIONS

- Minimum splice length 900 mm
- Traction and tooth resistances = 50% less than open-end
- Joined belt can be used only in conveyor systems
- Rolls with NFT, NFB, AVAFC and APL can be joined too
- Minimum diameters according above table
- For coated belts, minimum diameters on page 94



## PULLEYS (for more details please see our pulleys catalogue)



N° Teeth	Dp	De	N° Teeth	Dp	De
15	23,87	22,73	30	47,75	46,60
16	25,46	24,32	32	50,93	49,79
18	28,65	27,50	36	57,30	56,15
20	31,83	30,69	40	63,66	62,52
21	33,42	32,28	44	70,03	68,89
22	35,01	33,87	48	76,39	75,25
24	38,20	37,05	60	95,49	94,35
26	41,38	40,24	72	114,59	113,45
28	44,56	43,42			

# MEGALINEAR RPP8 OPEN-END

## BELT CHARACTERISTICS

STANDARD WIDTHS (mm)	10	15	20	30	50	85	100
Weight (gr/m)	65	100	130	195	330	560	655

Standard compound: **white Polyurethane thermoplastic 92 ShA**

Standard back cover: **none**

Standard tooth cover: **nylon fabric (NFT)**

Standard cords: **S and Z torsion zinked steel**

Standard width tolerance: **+/- 0,5 mm**

Standard thickness: **5,4 +/- 0,3 mm**

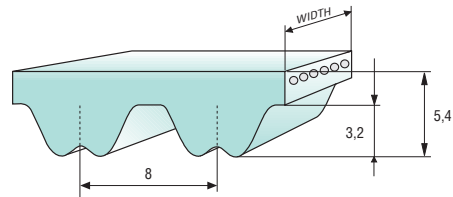
Standard length tolerance: **+/- 0,8 mm/m**

Standard roll length: **100 m**

Belt options on request with minimum quantity:

- Nylon fabric back
- Antistatic nylon fabric
- AVAFC 60/70/85 ShA
- APL
- Fishbone
- Ribbed
- Cleats

Different back coating materials see page 94



## TOOTH RESISTANCE

RPM (1/min)	0	20	40	60	80	100	200	300	400	500	750	1000	1500	2000	3000	4000	5000	8000
F <sub>p spec</sub> (N/cm)	<b>76</b>	<b>75</b>	<b>74</b>	<b>73</b>	<b>72</b>	<b>71</b>	<b>65</b>	<b>62</b>	<b>60</b>	<b>57</b>	<b>53</b>	<b>50</b>	<b>45</b>	<b>42</b>	<b>38</b>	<b>35</b>	<b>32</b>	<b>25</b>

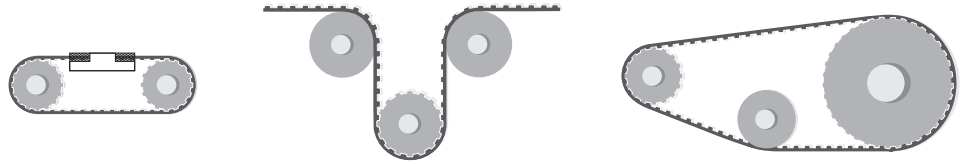
Minimum suggested number of teeth in clamp for linear movement: 7

## TRACTION RESISTANCE

Belt width (mm)		10	15	20	30	50	85	100
Steel	Max Traction Load (N)	1350	2030	2930	4510	7670	14010	16625
	Breaking Strength (N)	5415	8120	11730	18050	30685	53245	63175
	Elongation at MTL (mm/m)	4	4	4	4	4	4	4
Kevlar	Max Traction Load (N)	1110	1665	2405	3705	6295	11505	13650
	Breaking Strength (N)	4445	6665	9630	14820	25190	43715	51870
	Elongation at MTL (mm/m)	8	8	8	8	8	8	8

Average values

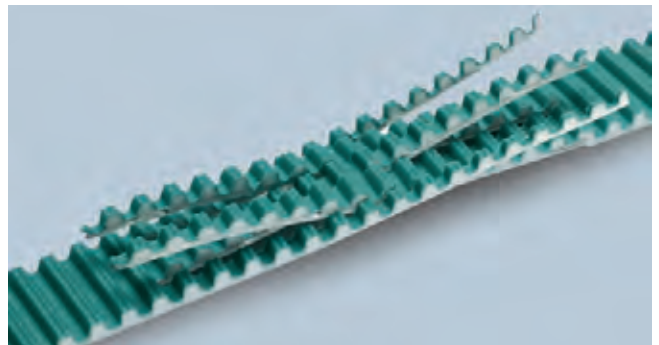
## FLEXION RESISTANCE



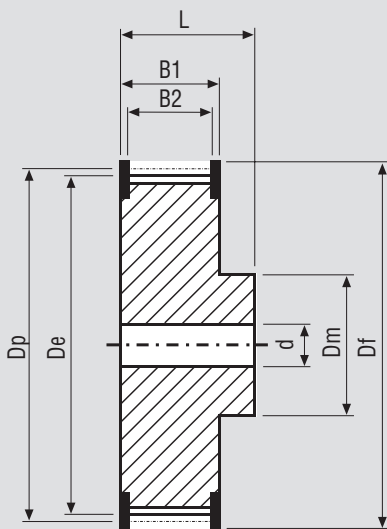
	Z min	Z min	Idler min dia (mm)	Z min	Idler min dia (mm)
Standard steel cords	18	20	100	18	45
Kevlar cords	18	20	100	18	45

## JOINED BELT INFORMATIONS

- Minimum splice length 900 mm
- Traction and tooth resistances = 50% less than open-end
- Joined belt can be used only in conveyor systems
- Rolls with NFT, NFB, AVAFC and APL can be joined too
- Minimum diameters according above table
- For coated belts, minimum diameters on page 94



## PULLEYS (for more details please see our pulleys catalogue)



N° Teeth	Dp	De	N° Teeth	Dp	De
18	45,86	44,49	44	112,04	110,67
22	56,02	54,65	48	122,23	120,86
24	61,12	59,74	54	137,51	136,14
26	66,21	64,84	64	162,97	161,60
28	71,30	69,93	72	183,35	181,97
30	76,39	75,02	80	203,72	202,35
32	81,49	80,12	90	229,18	227,81
34	86,58	85,21	112	285,20	283,83
36	91,67	90,30	144	366,69	365,32
38	96,77	95,39	168	427,81	426,44
40	101,86	100,49	192	488,92	487,55



# MEGALINEAR RPP14 OPEN-END

## BELT CHARACTERISTICS

STANDARD WIDTHS (mm)	40	55	85	115	150
Weight (gr/m)	470	650	1000	1355	1840

Standard compound: **white Polyurethane thermoplastic 92 ShA**

Standard back cover: **none**

Standard tooth cover: **nylon fabric (NFT)**

Standard cords: **S and Z torsion zinked steel**

Standard width tolerance: **+/- 1 mm**

Standard thickness: **10 +/- 0,4 mm**

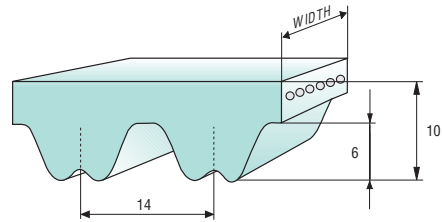
Standard length tolerance: **+/- 0,8 mm/m**

Standard roll length: **100 m**

Belt options on request with minimum quantity:

- Nylon fabric back
- Antistatic nylon fabric
- AVAFC 60/70/85 ShA
- APL
- Fishbone
- Ribbed
- Cleats

Different back coating materials see page 94



## TOOTH RESISTANCE

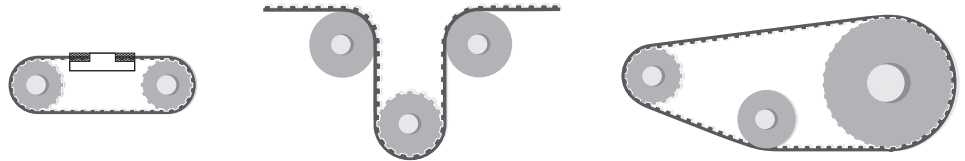
RPM (1/min)	0	20	40	60	80	100	200	300	400	500	750	1000	1500	2000	3000	4000	5000	8000
F <sub>p spec</sub> (N/cm)	140	137	135	133	131	128	118	111	105	101	91	84	75	62	52	40	30	-

Minimum suggested number of teeth in clamp for linear movement: 7

## TRACTION RESISTANCE

Belt width (mm)		40	55	85	115	150
Steel	Max Traction Load (N)	12160	17600	28000	40820	53850
	Breaking Strength (N)	48640	66880	106400	142880	188480
	Elongation at MTL (mm/m)	4	4	4	4	4
Average values						

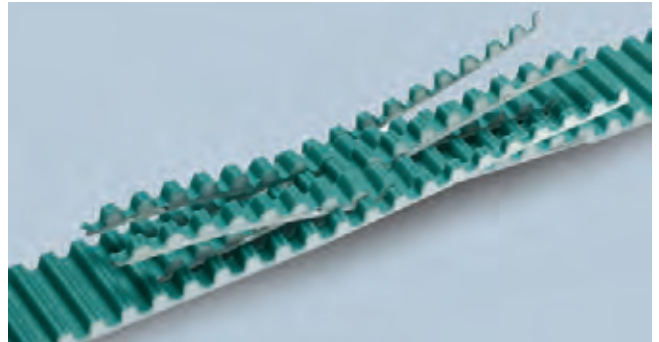
## FLEXION RESISTANCE



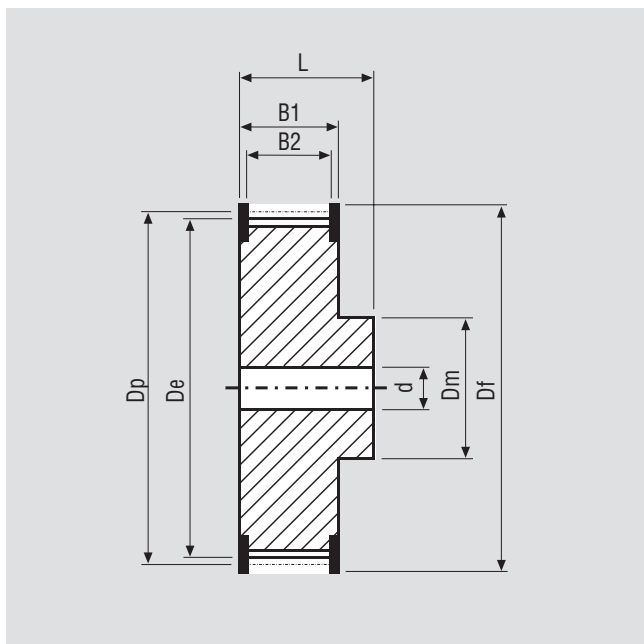
	Z min	Z min	Idler min dia (mm)	Z min	Idler min dia (mm)
Standard steel cords	32	35	250	32	145

## JOINED BELT INFORMATIONS

- Minimum splice length 900 mm
- Traction and tooth resistances = 50% less than open-end
- Joined belt can be used only in conveyor systems
- Rolls with NFT, NFB, AVAFC and APL can be joined too
- Minimum diameters according above table
- For coated belts, minimum diameters on page 94



## PULLEYS (for more details please see our pulleys catalogue)



N° Teeth	Dp	De	N° Teeth	Dp	De
32	142,60	139,81	72	320,86	318,07
34	151,52	148,73	80	356,51	353,72
36	160,43	157,64	90	401,07	398,28
38	169,34	166,55	112	499,11	496,32
40	178,25	175,46	144	641,71	638,92
44	196,08	193,29	168	748,66	745,87
48	213,90	211,11	192	855,61	852,82
56	249,55	246,76	216	962,57	959,78
64	285,20	282,41			

# MEGALINEAR RPP14XP OPEN-END

## BELT CHARACTERISTICS

STANDARD WIDTHS (mm)	40	55	85	115	150
Weight (gr/m)	590	815	1250	1695	2300

Standard compound: **white Polyurethane thermoplastic 92 ShA**

Standard back cover: **none**

Standard tooth cover: **nylon fabric (NFT)**

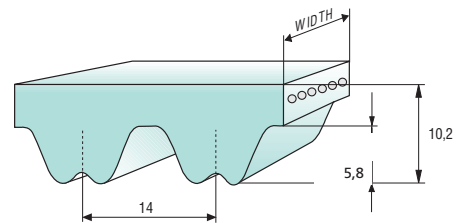
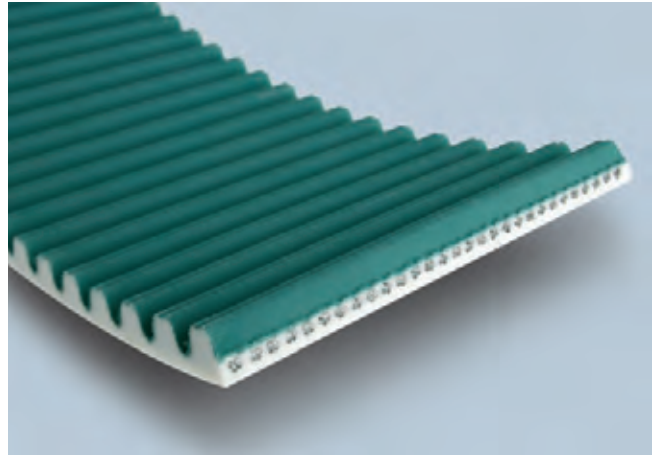
Standard cords: **S and Z torsion zinked steel**

Standard width tolerance: **+/- 1 mm**

Standard thickness: **10,2 +/- 0,5 mm**

Standard length tolerance: **+/- 0,8 mm/m**

Standard roll length: **100 m**



## TOOTH RESISTANCE

RPM (1/min)	0	20	40	60	80	100	200	300	400	500	750	1000	1500	2000	3000	4000	5000	8000
F <sub>p spec</sub> (N/cm)	140	137	135	133	131	128	118	111	105	101	91	84	75	62	52	40	30	-

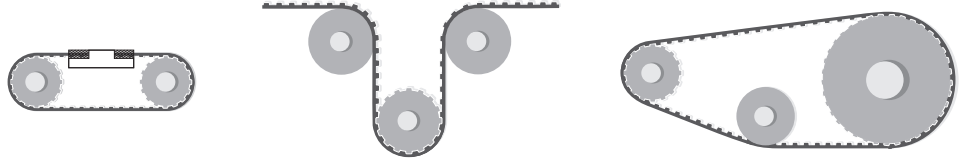
Minimum suggested number of teeth in clamp for linear movement: 12

## TRACTION RESISTANCE

Belt width (mm)		40	55	85	115	150
Steel	Max Traction Load (N)	16000	23600	37050	53030	76800
	Breaking Strength (N)	64000	89600	140800	185600	268800
	Elongation at MTL (mm/m)	4	4	4	4	4

Average values

## FLEXION RESISTANCE



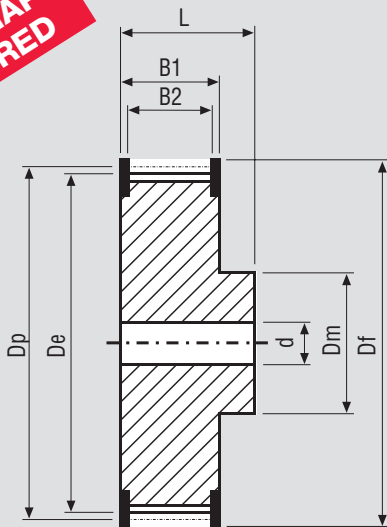
	Z min	Z min	Idler min dia (mm)	Z min	Idler min dia (mm)
Standard steel cords	32	35	250	32	200

## TYPICAL BELT APPLICATION



**PULLEYS** (XP belts can't work on RPP or HTD standard pulleys a special profile is required. PLS contact Megadyne staff for more information)

**SPECIAL SHAPE IS REQUIRED**



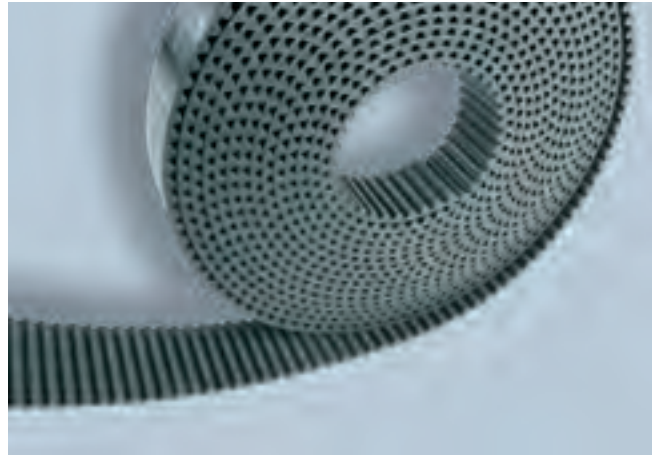
N° Teeth	Dp	De	N° Teeth	Dp	De
<b>32</b>	142,60	139,81	72	320,86	318,07
<b>34</b>	151,52	148,73	80	356,51	353,72
<b>36</b>	160,43	157,64	90	401,07	398,28
<b>38</b>	169,34	166,55	112	499,11	496,32
<b>40</b>	178,25	175,46	144	641,71	638,92
<b>44</b>	196,08	193,29	168	748,66	745,87
48	213,90	211,11	192	855,61	852,82
56	249,55	246,76	216	962,57	959,78
64	285,20	282,41			

# MEGALINEAR STD5 OPEN-END

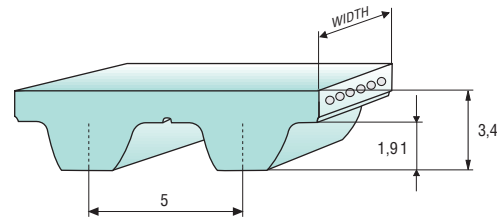
## BELT CHARACTERISTICS

STANDARD WIDTHS (mm)	10	15	25	50
Weight (gr/m)	35	50	80	165

Standard compound: **black Polyurethane thermoplastic 92 ShA**  
 Standard back cover: **none**  
 Standard tooth cover: **antistatic nylon fabric (NFT)**  
 Standard cords: **S and Z torsion zinked steel**  
 Standard width tolerance: **+/- 0,5 mm**  
 Standard thickness: **3,4 +/- 0,25 mm**  
 Standard length tolerance: **+/- 0,8 mm/m**  
 Standard roll length: **100 m**  
 Belt options on request with minimum quantity:  
     Nylon fabric back  
     AVAF 60/70/85 ShA  
     APL  
     Cleats



Different back coating materials see page 94



## TOOTH RESISTANCE

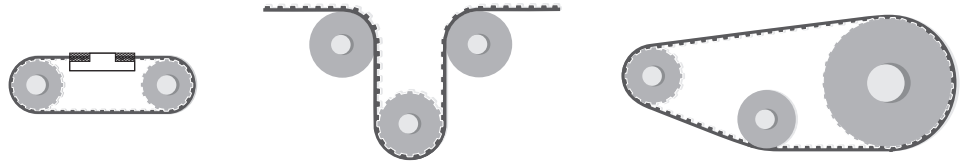
RPM (1/min)	0	20	40	60	80	100	200	300	400	500	750	1000	1500	2000	3000	4000	5000	8000
F <sub>p spec</sub> (N/cm)	<b>34</b>	<b>34</b>	<b>33</b>	<b>32</b>	<b>31</b>	<b>30</b>	<b>29</b>	<b>27</b>	<b>25</b>	<b>24</b>	<b>22</b>	<b>20</b>	<b>17</b>	<b>15</b>	<b>12</b>	<b>10</b>	<b>8</b>	<b>3</b>

Minimum suggested number of teeth in clamp for linear movement: 7

## TRACTION RESISTANCE

Belt width (mm)		10	15	25	50
Steel	Max Traction Load (N)	635	950	1715	3560
	Breaking Strength (N)	2545	3815	6870	14255
	Elongation at MTL (mm/m)	4	4	4	4
Average values					

## FLEXION RESISTANCE



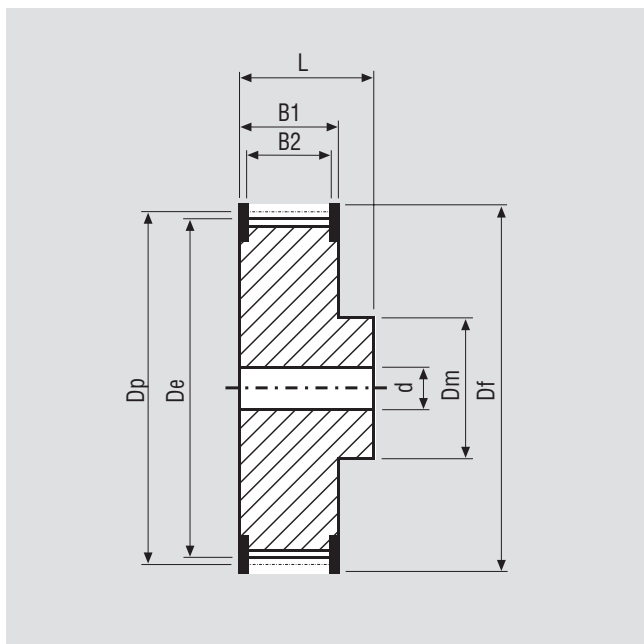
	Z min	Z min	Idler min dia (mm)	Z min	Idler min dia (mm)
Standard steel cords	12	13	60	12	20

## JOINED BELT INFORMATIONS

- Minimum splice length 900 mm
- Traction and tooth resistances = 50% less than open-end
- Joined belt can be used only in conveyor systems
- Rolls with NFT, NFB, AVAFC and APL can be joined too
- Minimum diameters according above table
- For coated belts, minimum diameters on page 94



## PULLEYS (for more details please see our pulleys catalogue)



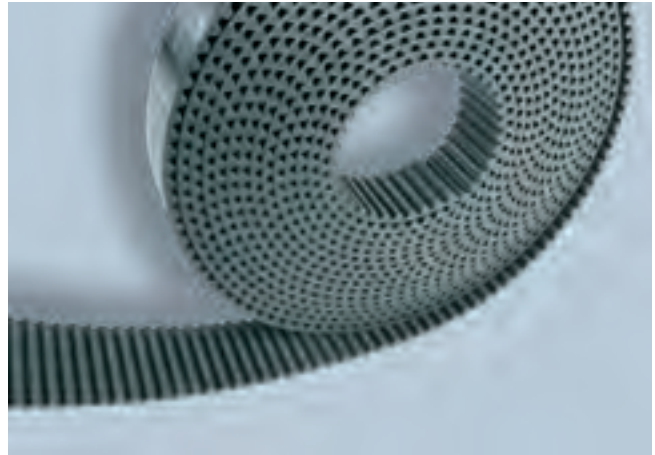
N° Teeth	Dp	De	N° Teeth	Dp	De
12	19,10	18,14	28	44,58	43,60
14	22,29	21,32	30	47,77	46,79
15	23,88	22,91	32	50,95	49,79
16	25,47	24,50	36	57,32	56,34
18	28,66	27,69	40	63,69	62,70
20	31,84	30,87	44	70,06	69,07
22	35,03	34,05	48	76,43	75,43
24	38,21	37,24	60	95,54	94,53
26	41,40	40,42	72	114,64	113,63

# MEGALINEAR STD8 OPEN-END

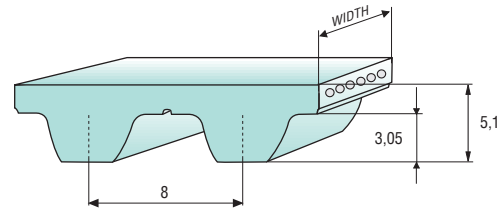
## BELT CHARACTERISTICS

STANDARD WIDTHS (mm)	10	12	15	20	30	50	85
Weight (gr/m)	65	75	85	120	185	325	530

Standard compound: **black Polyurethane thermoplastic 92 ShA**  
 Standard back cover: **none**  
 Standard tooth cover: **antistatic nylon fabric (NFT)**  
 Standard cords: **S and Z torsion zinked steel**  
 Standard width tolerance: **+/- 0,5 mm**  
 Standard thickness: **5,1 +/- 0,25 mm**  
 Standard length tolerance: **+/- 0,8 mm/m**  
 Standard roll length: **100 m**  
 Belt options on request with minimum quantity:  
 Nylon fabric back  
 AVAFC 60/70/85 ShA  
 APL  
 Fishbone  
 Ribbed  
 Cleats



Different back coating materials see page 94



## TOOTH RESISTANCE

RPM (1/min)	0	20	40	60	80	100	200	300	400	500	750	1000	1500	2000	3000	4000	5000	8000
F <sub>p spec</sub> (N/cm)	<b>64</b>	<b>62</b>	<b>58</b>	<b>56</b>	<b>54</b>	<b>51</b>	<b>48</b>	<b>46</b>	<b>44</b>	<b>42</b>	<b>38</b>	<b>35</b>	<b>31</b>	<b>27</b>	<b>23</b>	<b>20</b>	<b>17</b>	-

Minimum suggested number of teeth in clamp for linear movement: 7

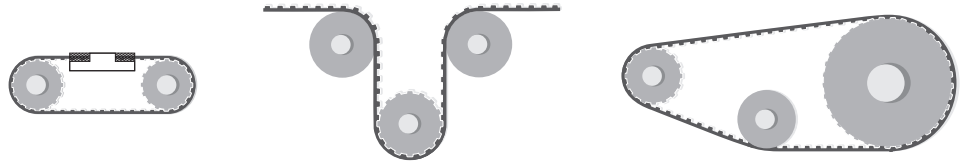
## TRACTION RESISTANCE

	Belt width (mm)	10	12	15	20	30	50	85
HP = Standard	Max Traction Load (N)	1350	1575	2030	2930	4510	7670	14010
	Breaking Strength (N)	5415	6315	8120	11730	18050	30685	53245
	Elongation at MTL (mm/m)	4	4	4	4	4	4	4
Kevlar	Max Traction Load (N)	1110	1295	1665	2405	3705	6295	11505
	Breaking Strength (N)	4445	5185	6665	9630	14820	25190	43715
	Elongation at MTL (mm/m)	8	8	8	8	8	8	8
HF	Max Traction Load (N)	795	995	1295	1795	2790	4785	8715
	Breaking Strength (N)	3190	3990	5185	7180	11170	19150	33115
	Elongation at MTL (mm/m)	5	5	5	5	5	5	5

Average values



## FLEXION RESISTANCE



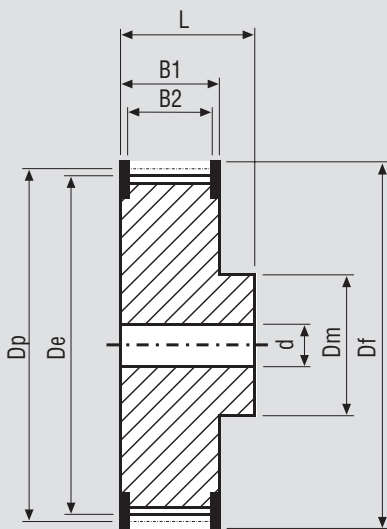
	Z min	Z min	Idler min dia (mm)	Z min	Idler min dia (mm)
HP = standard	20	24	100	20	50
Kevlar cords	20	24	100	20	50
High Flexibility cords	16	24	60	22	40

## JOINED BELT INFORMATIONS

- Minimum splice length 900 mm
- Traction and tooth resistances = 50% less than open-end
- Joined belt can be used only in conveyor systems
- Rolls with NFT, NFB, AVAFC and APL can be joined too
- Minimum diameters according above table
- For coated belts, minimum diameters on page 94



## PULLEYS (for more details please see our pulleys catalogue)



N° Teeth	Dp	De	N° Teeth	Dp	De
22	56,05	54,65	48	122,29	120,86
24	61,14	59,75	56	142,67	141,23
26	66,24	64,84	64	163,05	161,60
28	71,33	69,93	72	183,43	181,98
30	76,43	75,02	80	203,82	202,35
32	81,52	80,12	90	229,29	227,81
34	86,62	85,21	112	285,35	283,84
36	91,71	90,30	144	366,87	365,32
38	96,81	95,40	168	428,02	426,44
40	101,91	100,49	192	489,17	487,55
44	112,10	110,68			

# MEGALINEAR HG OPEN-END

## BELT CHARACTERISTICS

STANDARD WIDTHS (inch)	150	200	300	400
STANDARD WIDTHS (mm)	38,1	50,8	76,2	101,6
Weight (gr/m)	230	285	395	500

Standard compound: **white Polyurethane thermoplastic 92 ShA**

Standard back cover: **none**

Standard tooth cover: **none**

Standard cords: **S and Z torsion zinked steel**

Standard width tolerance: **+/- 0,5 mm**

Standard length tolerance: **+/- 0,8 mm/m**

Standard roll length: **100 m**

Belt options on request with minimum quantity:

Nylon fabric back

Nylon fabric teeth\*

Antistatic nylon fabric

Transparent FDA compound

Cleats

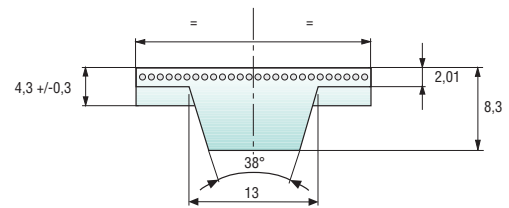
Different back coating materials see page 94



notched guide

\* Nylon fabric teeth including guide (fabric on complete width) is standard version.

Nylon fabric teeth excluding guide (2 fabric strips on teeth only) is only on request.



## TOOTH RESISTANCE

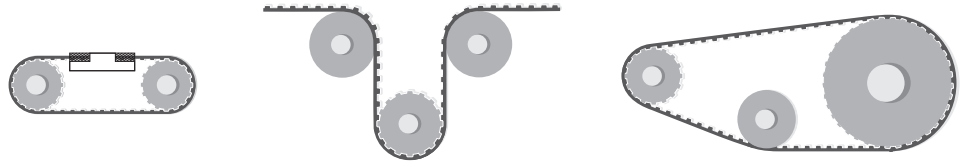
RPM (1/min)	0	20	40	60	80	100	200	300	400	500	750	1000	1500	2000	3000	4000	5000	8000
F <sub>p spec</sub> (N/cm)	44	43	42	41	40	39	36	34	33	31	29	27	24	22	19	17	16	12

Minimum suggested number of teeth in clamp for linear movement: 7

## TRACTION RESISTANCE

Belt width (inch)		150	200	300	400
Steel	Max Traction Load (N)	3490	4785	7665	11170
	Breaking Strength (N)	13965	19150	29125	39100
	Elongation at MTL (mm/m)	4	4	4	4
Kevlar	Max Traction Load (N)	3205	4360	7015	10260
	Breaking Strength (N)	12825	17440	26675	35910
	Elongation at MTL (mm/m)	8	8	8	8
Average values					

## FLEXION RESISTANCE



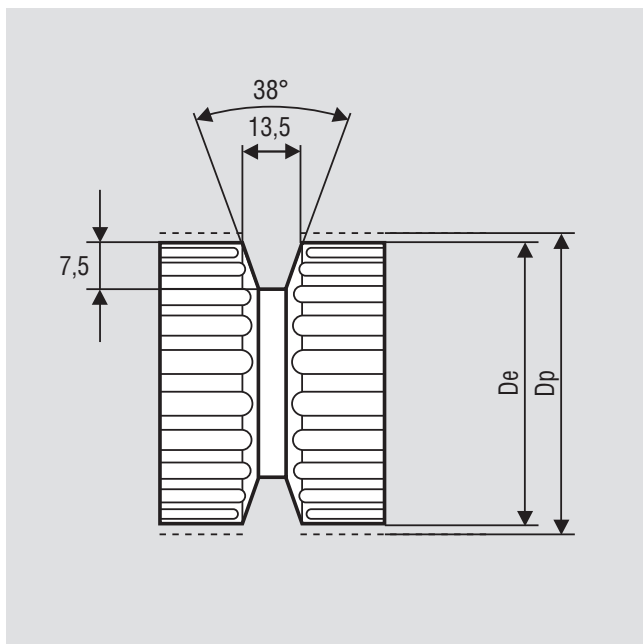
	Z min	Z min	Idler min dia (mm)	Z min	Idler min dia (mm)
Standard steel cords	20	22	160	20	80
Kevlar cords	20	22	160	20	80

## JOINED BELT INFORMATIONS

- Minimum splice length 900 mm
- Traction and tooth resistances = 50% less than open-end
- Joined belt can be used only in conveyor systems
- Rolls with NFT and NFB can be joined too
- Minimum diameters according above table
- For coated belts, minimum diameters on page 94



## PULLEYS (for more details please see our pulleys catalogue)



N° Teeth	Dp	De	N° Teeth	Dp	De
20	80,85	79,48	34	137,45	136,08
22	88,94	87,57	36	145,53	144,16
24	97,02	95,65	38	153,62	152,25
26	105,11	103,74	40	161,70	160,33
28	113,19	111,82	44	177,87	176,50
30	121,28	119,91	48	194,04	192,67
32	129,36	127,99	60	242,55	241,18

# MEGALINEAR TG5 OPEN-END

## BELT CHARACTERISTICS

STANDARD WIDTHS (mm)	25	32	50
Weight (gr/m)	70	85	120

Standard compound: **white Polyurethane thermoplastic 92 ShA**

Standard back cover: **none**

Standard tooth cover: **none**

Standard cords: **S and Z torsion zinked steel**

Standard width tolerance: **+/- 0,5 mm**

Standard length tolerance: **+/- 0,8 mm/m**

Standard roll length: **100 m**

Belt options on request with minimum quantity:

Nylon fabric back

Nylon fabric teeth\*

Antistatic nylon fabric

Transparent FDA compound

Cleats

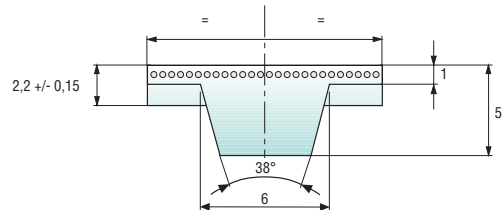
Different back coating materials see page 94



notched guide

\* Nylon fabric teeth including guide (fabric on complete width) is standard version.

Nylon fabric teeth excluding guide (2 fabric strips on teeth only) is only on request.



## TOOTH RESISTANCE

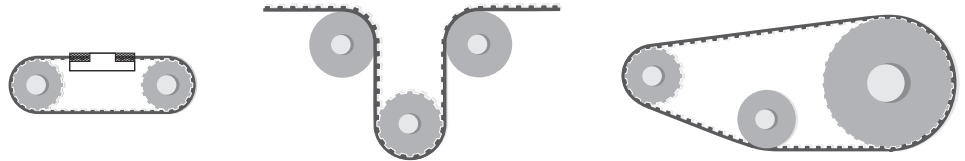
RPM (1/min)	0	20	40	60	80	100	200	300	400	500	750	1000	1500	2000	3000	4000	5000	8000
F <sub>p spec</sub> (N/cm)	<b>24</b>	<b>23</b>	<b>23</b>	<b>22</b>	<b>22</b>	<b>22</b>	<b>20</b>	<b>19</b>	<b>19</b>	<b>18</b>	<b>17</b>	<b>16</b>	<b>15</b>	<b>14</b>	<b>12</b>	<b>11</b>	<b>11</b>	<b>9</b>

Minimum suggested number of teeth in clamp for linear movement: 7

## TRACTION RESISTANCE

Belt width (mm)		25	32	50
Steel	Max Traction Load (N)	800	1005	1660
	Breaking Strength (N)	3205	4035	6650
	Elongation at MTL (mm/m)	4	4	4
Kevlar	Max Traction Load (N)	1795	2260	3720
	Breaking Strength (N)	7180	9040	14895
	Elongation at MTL (mm/m)	8	8	8
Average values				

## FLEXION RESISTANCE



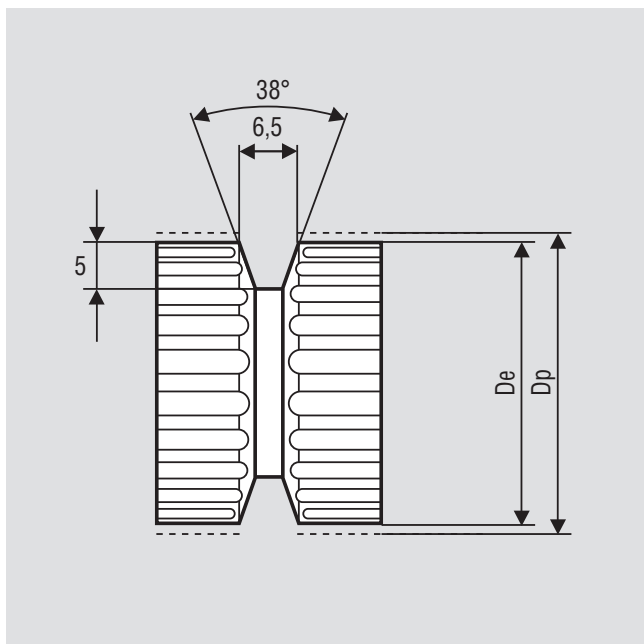
	Z min	Z min	Idler min dia (mm)	Z min	Idler min dia (mm)
Standard steel cords	25	28	80	25	60
Kevlar cords	25	28	80	25	60

## JOINED BELT INFORMATIONS

- Minimum splice length 900 mm
- Traction and tooth resistances = 50% less than open-end
- Joined belt can be used only in conveyor systems
- Rolls with NFT and NFB can be joined too
- Minimum diameters according above table
- For coated belts, minimum diameters on page 94



## PULLEYS (for more details please see our pulleys catalogue)



N° Teeth	Dp	De	N° Teeth	Dp	De
25	39,79	38,96	36	57,30	56,47
27	42,97	42,14	40	63,66	62,93
30	47,75	46,92	48	76,39	75,57
32	50,93	50,10	60	95,49	94,67

# MEGALINEAR TG10 OPEN-END

## BELT CHARACTERISTICS

STANDARD WIDTHS (mm)	25TG10K13	32TG10K13	50TG10K13	75TG10K13	100TG10K13	50TG10K6
Weight (gr/m)	190	250	290	390	495	240

Standard compound: **white Polyurethane thermoplastic 92 ShA**

Standard back cover: **none**

Standard tooth cover: **none**

Standard cords: **S and Z torsion zinked steel**

Standard width tolerance: **+/- 0,5 mm**

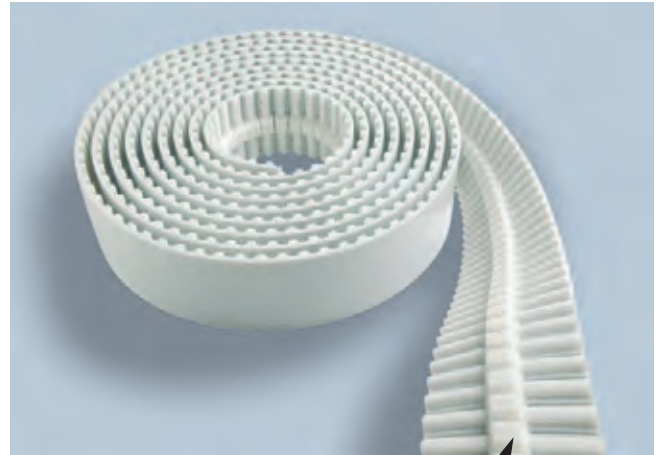
Standard length tolerance: **+/- 0,8 mm/m**

Standard roll length: **100 m**

Belt options on request with minimum quantity:

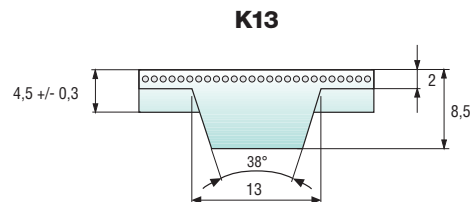
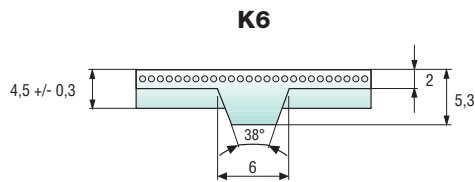
- Nylon fabric back
- Nylon fabric teeth\*
- Antistatic nylon fabric
- Transparent FDA compound
- AVAFC 60/70/85 ShA
- Cleats

Different back coating materials see page 94



notched guide

\*Nylon fabric teeth excluding guide (2 fabric strips on teeth only) is standard version.  
Nylon fabric teeth including guide (fabric on complete width) is only on request.



## TOOTH RESISTANCE

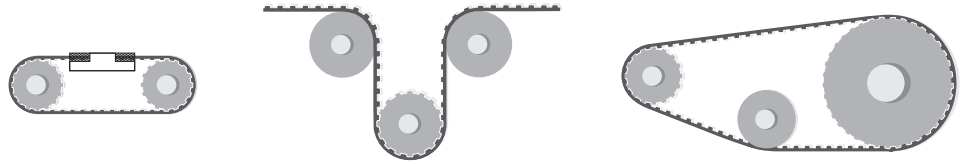
RPM (1/min)	0	20	40	60	80	100	200	300	400	500	750	1000	1500	2000	3000	4000	5000	8000
F <sub>p spec</sub> (N/cm)	<b>51</b>	<b>49</b>	<b>48</b>	<b>47</b>	<b>46</b>	<b>45</b>	<b>41</b>	<b>39</b>	<b>37</b>	<b>36</b>	<b>33</b>	<b>31</b>	<b>28</b>	<b>25</b>	<b>22</b>	<b>20</b>	<b>18</b>	<b>14</b>

Minimum suggested number of teeth in clamp for linear movement: 7

## TRACTION RESISTANCE

Belt width (mm)		25TG10K13	32TG10K13	50TG10K13	75TG10K13	100TG10K13	50TG10K6
Steel	Max Traction Load (N)	2290	2890	4785	7665	10290	4785
	Breaking Strength (N)	9175	11570	19150	29125	39100	19150
	Elongation at MTL (mm/m)	4	4	4	4	4	4
Kevlar	Max Traction Load (N)	2050	2565	4360	7020	9450	4360
	Breaking Strength (N)	8205	10260	17440	26675	35910	17440
	Elongation at MTL (mm/m)	8	8	8	8	8	8
Stainless	Max Traction Load (N)	1855	2340	3875	-	-	3875
	Breaking Strength (N)	7425	9365	15500	-	-	15500
	Elongation at MTL (mm/m)	3,8	3,8	3,8	-	-	3,8
Average values							

## FLEXION RESISTANCE



	Z min	Z min	Idler min dia (mm)	Z min	Idler min dia (mm)
Standard steel cords	25	28	80	25	80
Kevlar cords	25	28	80	25	80
Stainless steel cords	31	34	90	31	90

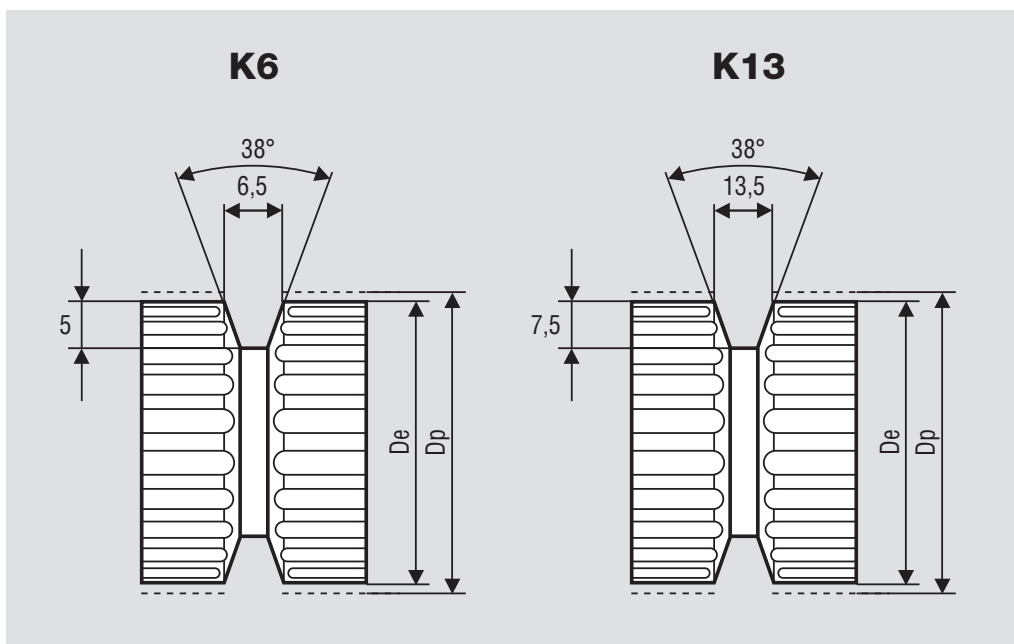
Valid for **K6** and **K13**.

## JOINED BELT INFORMATIONS

- Minimum splice length 900 mm
- Traction and tooth resistances = 50% less than open-end
- Joined belt can be used only in conveyor systems
- Rolls with NFT, NFB and AVAFC can be joined too
- Minimum diameters according above table
- For coated belts, minimum diameters on page 94



## PULLEYS (for more details please see our pulleys catalogue)



N° Teeth	Dp	De
25	79,58	77,73
27	85,94	84,10
30	95,49	93,65
32	101,86	100,01
36	114,59	112,74
40	127,32	125,48
48	152,79	150,94
60	190,99	189,14



# MEGALINEAR TG20 OPEN-END

## BELT CHARACTERISTICS

STANDARD WIDTHS (mm)	50	75	100
Weight (gr/m)	375	590	770

Standard compound: **white Polyurethane thermoplastic 92 ShA**

Standard back cover: **none**

Standard tooth cover: **none**

Standard cords: **S and Z torsion zinked steel**

Standard width tolerance: **+/- 1 mm**

Standard length tolerance: **+/- 0,8 mm/m**

Standard roll length: **100 m**

Belt options on request with minimum quantity:

Nylon fabric back

Nylon fabric teeth\*

Antistatic nylon fabric

Transparent FDA compound

Cleats

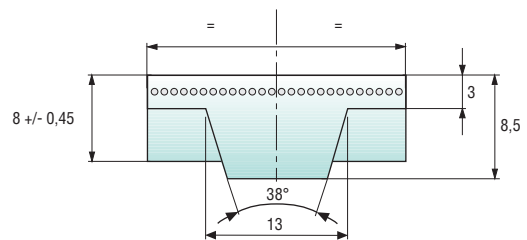
Different back coating materials see page 94



notched guide

\* Nylon fabric teeth including guide (fabric on complete width) is standard version.

Nylon fabric teeth excluding guide (2 fabric strips on teeth only) is only on request.



## TOOTH RESISTANCE

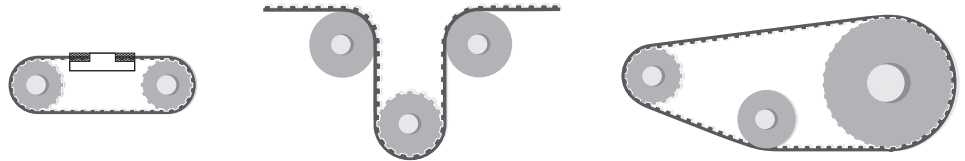
RPM (1/min)	0	20	40	60	80	100	200	300	400	500	750	1000	1500	2000	3000	4000	5000	8000
$F_{p\ spec}$ (N/cm)	102	98	95	93	91	89	81	76	72	68	62	57	50	45	38	33	29	-

Minimum suggested number of teeth in clamp for linear movement: 7

## TRACTION RESISTANCE

Belt width (mm)		50	75	100
Steel	Max Traction Load (N)	7670	12350	16625
	Breaking Strength (N)	30685	46930	63175
	Elongation at MTL (mm/m)	4	4	4
Kevlar	Max Traction Load (N)	9135	14800	19975
	Breaking Strength (N)	36555	56240	75920
	Elongation at MTL (mm/m)	8	8	8
Average values				

## FLEXION RESISTANCE



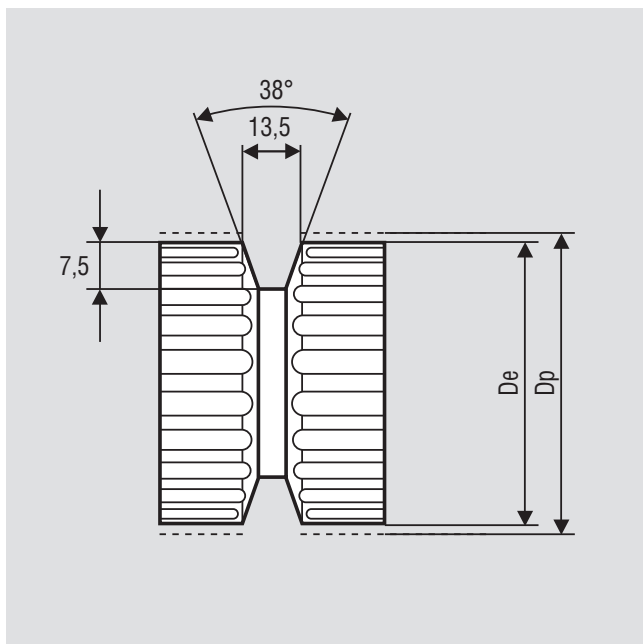
	Z min	Z min	Idler min dia (mm)	Z min	Idler min dia (mm)
Standard steel cords	30	33	140	30	120
Kevlar cords	30	33	140	30	120

## JOINED BELT INFORMATIONS

- Minimum splice length 900 mm
- Traction and tooth resistances = 50% less than open-end
- Joined belt can be used only in conveyor systems
- Rolls with NFT and NFB can be joined too
- Minimum diameters according above table
- For coated belts, minimum diameters on page 94



## PULLEYS (for more details please see our pulleys catalogue)



N° Teeth	Dp	De	N° Teeth	Dp	De
30	190,99	188,13	40	254,65	251,80
32	203,72	200,86	48	305,58	302,73
36	229,18	226,33	60	381,97	379,12

# MEGALINEAR ATG5 OPEN-END

## BELT CHARACTERISTICS

STANDARD WIDTHS (mm)	25	32	50
Weight (gr/m)	95	120	180

Standard compound: **white Polyurethane thermoplastic 92 ShA**

Standard back cover: **none**

Standard tooth cover: **none**

Standard cords: **S and Z torsion zinked steel**

Standard width tolerance: **+/- 0,5 mm**

Standard length tolerance: **+/- 0,8 mm/m**

Standard roll length: **100 m**

Belt options on request with minimum quantity:

Nylon fabric back

Nylon fabric teeth\*

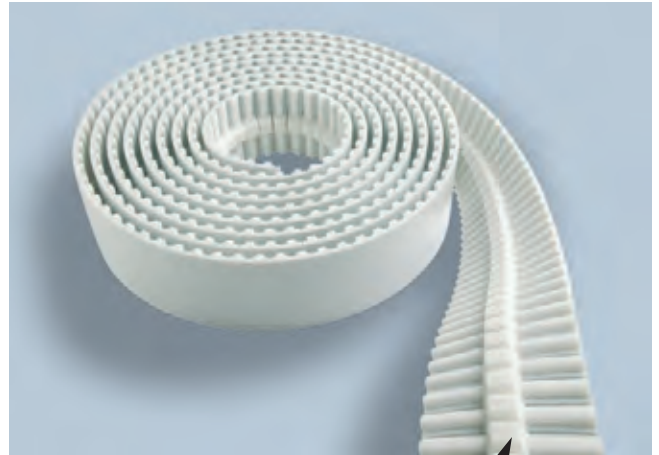
Antistatic nylon fabric

Transparent FDA compound

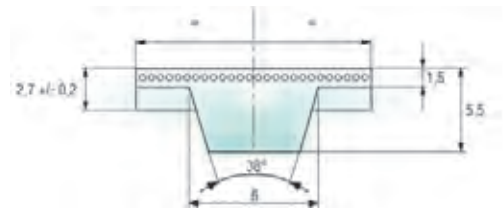
AVAFC 60/70/85 ShA

Cleats

Different back coating materials see page 94



notched guide



\* Nylon fabric teeth excluding guide (2 fabric strips on teeth only) is standard version.  
Nylon fabric teeth including guide (fabric on complete width) is only on request.

## TOOTH RESISTANCE

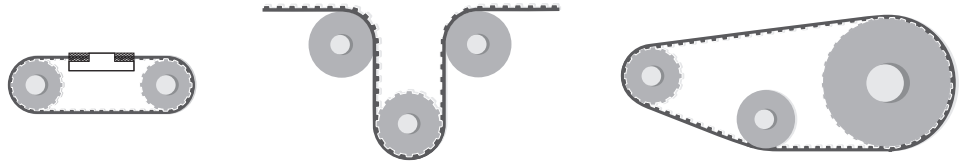
RPM (1/min)	0	20	40	60	80	100	200	300	400	500	750	1000	1500	2000	3000	4000	5000	8000
F <sub>p spec</sub> (N/cm)	<b>74</b>	<b>72</b>	<b>71</b>	<b>71</b>	<b>70</b>	<b>69</b>	<b>65</b>	<b>62</b>	<b>60</b>	<b>58</b>	<b>53</b>	<b>50</b>	<b>44</b>	<b>40</b>	<b>35</b>	<b>30</b>	<b>27</b>	<b>20</b>

Minimum suggested number of teeth in clamp for linear movement: 7

## TRACTION RESISTANCE

Belt width (mm)		25	32	50
Steel	Max Traction Load (N)	1715	2160	3560
	Breaking Strength (N)	6870	8655	14255
	Elongation at MTL (mm/m)	4	4	4
Average values				

## FLEXION RESISTANCE



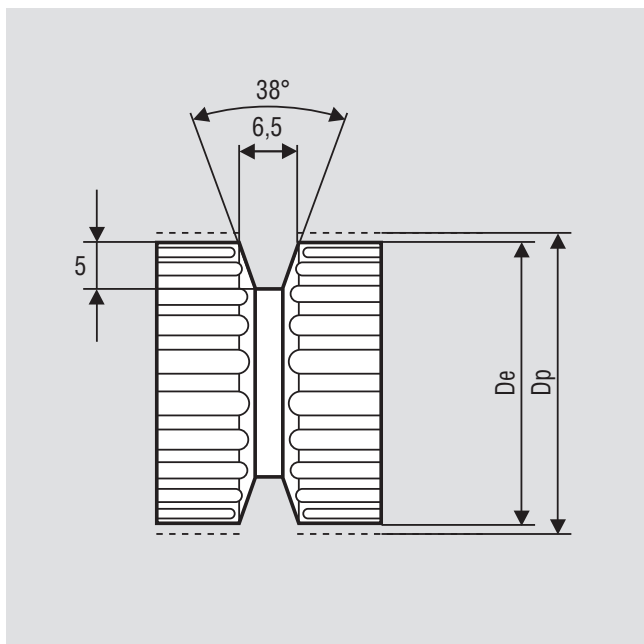
	Z min	Z min	Idler min dia (mm)	Z min	Idler min dia (mm)
Standard steel cords	25	28	100	25	80

## JOINED BELT INFORMATIONS

- Minimum splice length 900 mm
- Traction and tooth resistances = 50% less than open-end
- Joined belt can be used only in conveyor systems
- Rolls with NFT, NFB and AVAFC can be joined too
- Minimum diameters according above table
- For coated belts, minimum diameters on page 94



## PULLEYS (for more details please see our pulleys catalogue)



N° Teeth	Dp	De	N° Teeth	Dp	De
25	39,79	38,96	36	57,30	56,47
27	42,97	42,14	40	63,66	62,93
30	47,75	46,92	48	76,39	75,57
32	50,93	50,10	60	95,49	94,67

# MEGALINEAR ATG10 OPEN-END

## BELT CHARACTERISTICS

STANDARD WIDTHS (mm)	25	32	50	75	100	150
Weight (gr/m)	180	230	330	465	620	930

Standard compound: **white Polyurethane thermoplastic 92 ShA**

Standard back cover: **none**

Standard tooth cover: **none**

Standard cords: **S and Z torsion zinked steel**

Standard width tolerance: **+/- 0,5 mm**

Standard length tolerance: **+/- 0,8 mm/m**

Standard roll length: **100 m**

Belt options on request with minimum quantity:

Nylon fabric back

Nylon fabric teeth\*

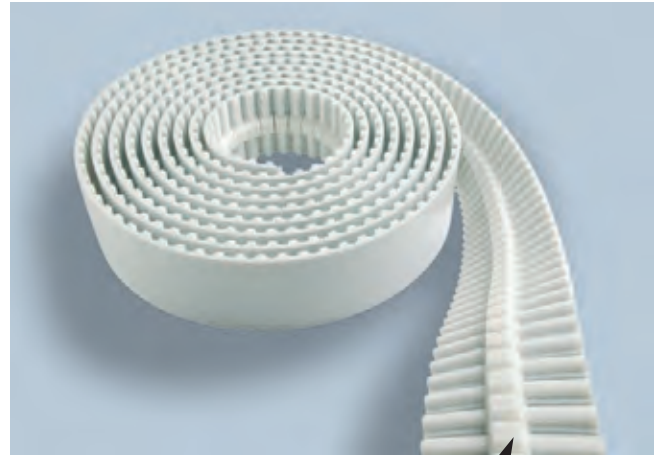
Antistatic nylon fabric

Transparent FDA compound

AVAFC 60/70/85 ShA

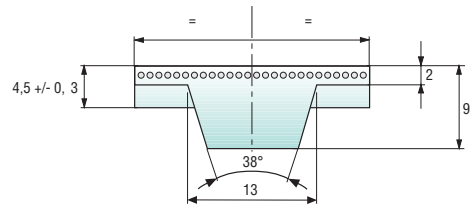
Cleats

Different back coating materials see page 94



notched guide

- \* Nylon fabric teeth excluding guide (2 fabric strips on teeth only) is standard version.
- Nylon fabric teeth including guide (fabric on complete width) is only on request.



## TOOTH RESISTANCE

RPM (1/min)	0	20	40	60	80	100	200	300	400	500	750	1000	1500	2000	3000	4000	5000	8000
$F_{p\ spec}$ (N/cm)	<b>74</b>	<b>72</b>	<b>71</b>	<b>71</b>	<b>70</b>	<b>69</b>	<b>65</b>	<b>62</b>	<b>60</b>	<b>58</b>	<b>53</b>	<b>50</b>	<b>44</b>	<b>40</b>	<b>35</b>	<b>30</b>	<b>27</b>	<b>20</b>

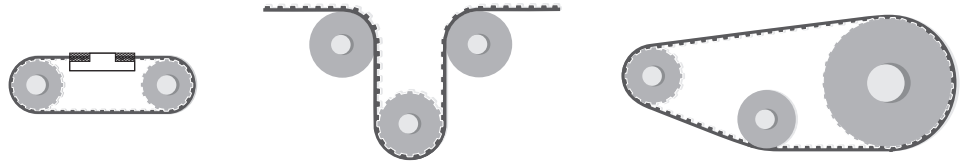
Minimum suggested number of teeth in clamp for linear movement: 7

## TRACTION RESISTANCE

Belt width (mm)		25	32	50	75	100	150
Steel	Max Traction Load (N)	3610	4510	7670	12350	16625	26815
	Breaking Strength (N)	14440	18050	30685	46930	63175	93860
	Elongation at MTL (mm/m)	4	4	4	4	4	4
Kevlar	Max Traction Load (N)	4215	5620	9135	14800	19980	32940
	Breaking Strength (N)	16870	22495	36555	56240	75920	115290
	Elongation at MTL (mm/m)	8	8	8	8	8	8
HP	Max Traction Load (N)	4930	6570	10680	17300	23350	38500
	Breaking Strength (N)	19720	26295	42730	65740	88745	134765
	Elongation at MTL (mm/m)	4	4	4	4	4	4
Stainless	Max Traction Load (N)	2865	3585	6095	-	-	-
	Breaking Strength (N)	11475	14345	24385	-	-	-
	Elongation at MTL (mm/m)	3,8	3,8	3,8	-	-	-

Average values

## FLEXION RESISTANCE



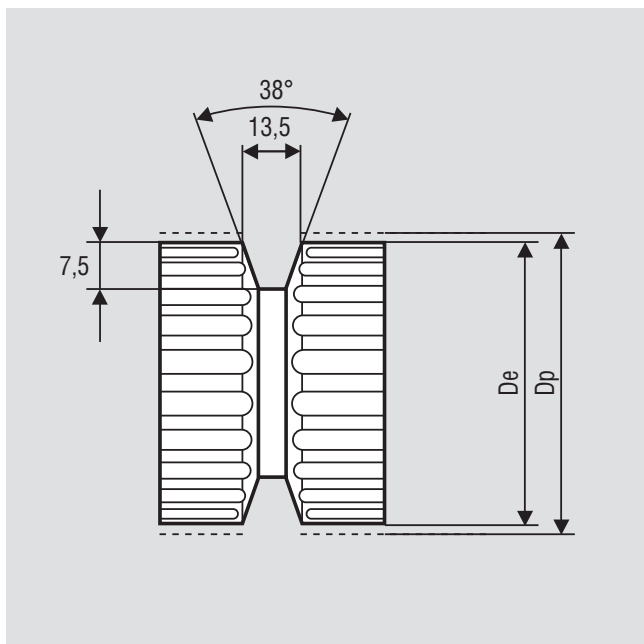
	Z min	Z min	Idler min dia (mm)	Z min	Idler min dia (mm)
Standard steel cords	25	28	120	25	100
Kevlar cords	25	28	120	25	100
High Power cords	40	40	160	40	120
Stainless steel cords	31	34	130	31	130

## JOINED BELT INFORMATIONS

- Minimum splice length 900 mm
- Traction and tooth resistances = 50% less than open-end
- Joined belt can be used only in conveyor systems
- Rolls with NFT, NFB and AVAFC can be joined too
- Minimum diameters according above table
- For coated belts, minimum diameters on page 94



## PULLEYS (for more details please see our pulleys catalogue)



N° Teeth	Dp	De	N° Teeth	Dp	De
25	79,58	77,73	36	114,59	112,74
27	85,94	84,10	40	127,32	125,48
30	95,49	93,65	48	152,79	150,94
32	101,86	100,01	60	190,99	189,14

# MEGALINEAR ATG20 OPEN-END

## BELT CHARACTERISTICS

STANDARD WIDTHS (mm)	75	150
Weight (gr/m)	795	1500

Standard compound: **white Polyurethane thermoplastic 92 ShA**

Standard back cover: **none**

Standard tooth cover: **none**

Standard cords: **S and Z torsion zinked steel**

Standard width tolerance: **+/- 1 mm**

Standard length tolerance: **+/- 0,8 mm/m**

Standard roll length: **100 m**

Belt options on request with minimum quantity:

Nylon fabric back

Nylon fabric teeth\*

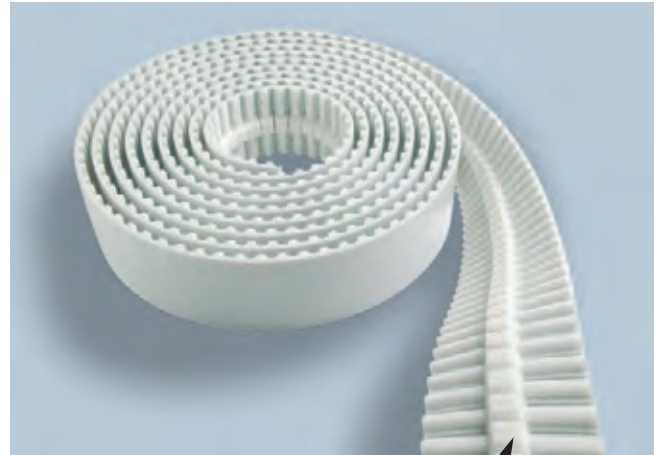
Antistatic nylon fabric

Transparent FDA compound

AVAFC 60/70/85 ShA

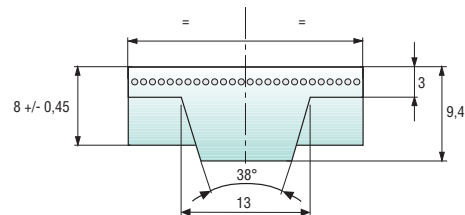
Cleats

Different back coating materials see page 94



notched guide

- \* Nylon fabric teeth excluding guide (2 fabric strips on teeth only) is standard version.
- Nylon fabric teeth including guide (fabric on complete width) is only on request.



## TOOTH RESISTANCE

RPM (1/min)	0	20	40	60	80	100	200	300	400	500	750	1000	1500	2000	3000	4000	5000	8000
F <sub>p spec</sub> (N/cm)	147	144	142	139	137	135	126	119	112	107	97	88	76	67	58	43	35	-

Minimum suggested number of teeth in clamp for linear movement: 7

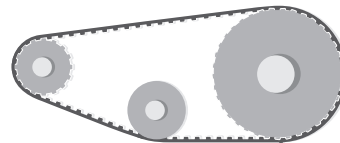
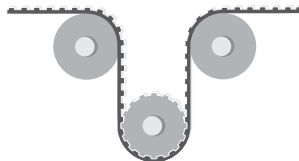
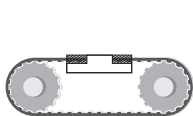
## TRACTION RESISTANCE

Belt width (mm)		75	150
Steel	Max Traction Load (N)	17300	38500
	Breaking Strength (N)	65740	134765
	Elongation at MTL (mm/m)	4	4

Average values



## FLEXION RESISTANCE



	Z min
Standard steel cords	30

Z min	Idler min dia (mm)
33	180

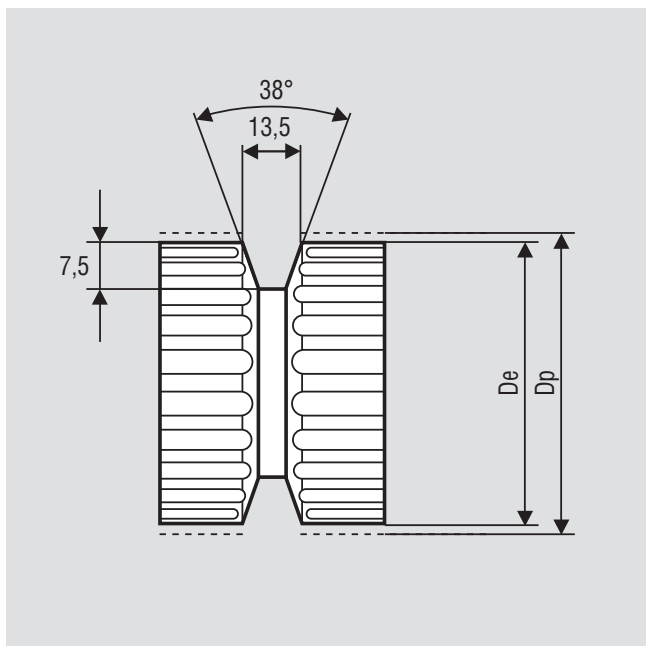
Z min	Idler min dia (mm)
30	160

## JOINED BELT INFORMATIONS

- Minimum splice length 900 mm
- Traction and tooth resistances = 50% less than open-end
- Joined belt can be used only in conveyor systems
- Rolls with NFT, NFB and AVAFC can be joined too
- Minimum diameters according above table
- For coated belts, minimum diameters on page 94



## PULLEYS (for more details please see our pulleys catalogue)

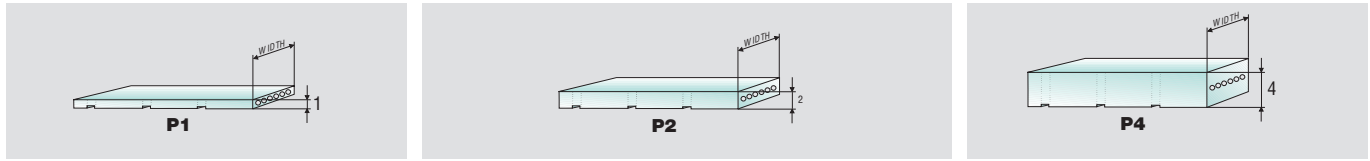


N° Teeth	Dp	De
30	190,99	188,13
32	203,72	200,86
36	229,18	226,33

N° Teeth	Dp	De
40	254,65	251,80
48	305,58	302,73
60	381,97	379,12

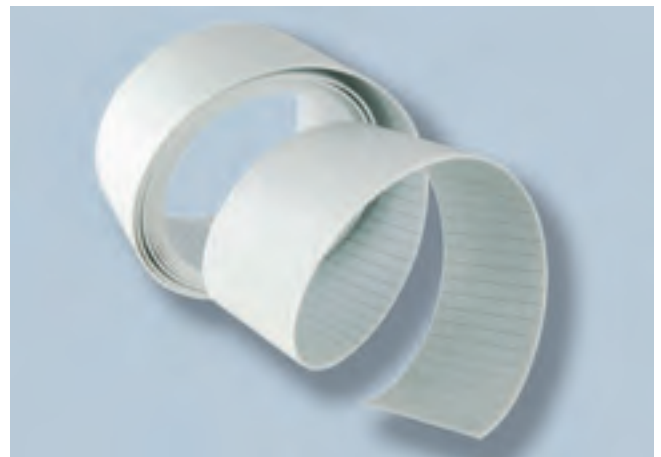
# MEGALINEAR FLAT OPEN-END

## BELT CHARACTERISTICS



	10 P1	20 P1	25 P2	50 P2	75 P2	100 P2	25 P4	50 P4	100 P4
Weight (gr/m)	20	40	135	245	370	490	220	445	890
Polyurethane 92 ShA	blue	blue	white	white	white	white	transparent	transparent	transparent
Width (mm)	10+/-0,5	20+/-0,5	25+/-0,5	50+/-0,5	75+/-0,5	100+/-0,5	25+/-0,5	50+/-0,5	100+/-0,5
Thickness (mm)	1+/-0,1	1+/-0,1	2+/-0,2	2+/-0,2	2+/-0,2	2+/-0,2	4+0,4/-0	4+0,4/-0	4+0,4/-0
Length tolerance (mm/m)	+/-0,8	+/-0,8	+/-0,8	+/-0,8	+/-0,8	+/-0,8	+/-0,8	+/-0,8	+/-0,8

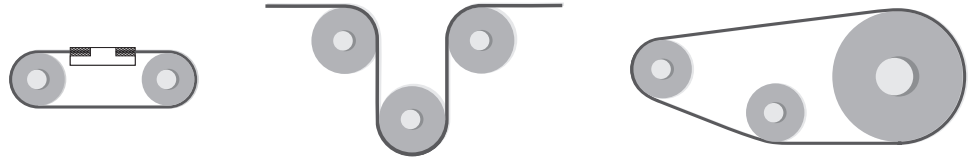
- Standard back cover: **none**
- Standard tooth cover: **none**
- Standard cords: **S and Z torsion zinked steel**
- Standard roll length: **100 m**
- Belt options on request with minimum quantity:
  - Nylon fabric back
  - Nylon fabric teeth
  - Antistatic nylon fabric



## TRACTION RESISTANCE

	Belt width (mm)	10 P1	20 P1	25 P2	50 P2	75 P2	100 P2	25 P4	50 P4	100 P4
Steel	Max Traction Load (N)	465	930	3380	7445	11875	16150	7600	15200	32000
	Breaking Strength (N)	1865	3735	13535	29780	45125	61370	30400	60800	121600
	Elongation at MTL (mm/m)	4	4	4	4	4	4	4	4	4
HP	Max Traction Load (N)	-	-	4930	10680	17300	23355	-	-	-
	Breaking Strength (N)	-	-	19720	42730	65740	88745	-	-	-
	Elongation at MTL (mm/m)	-	-	4	4	4	4	-	-	-
Average values										

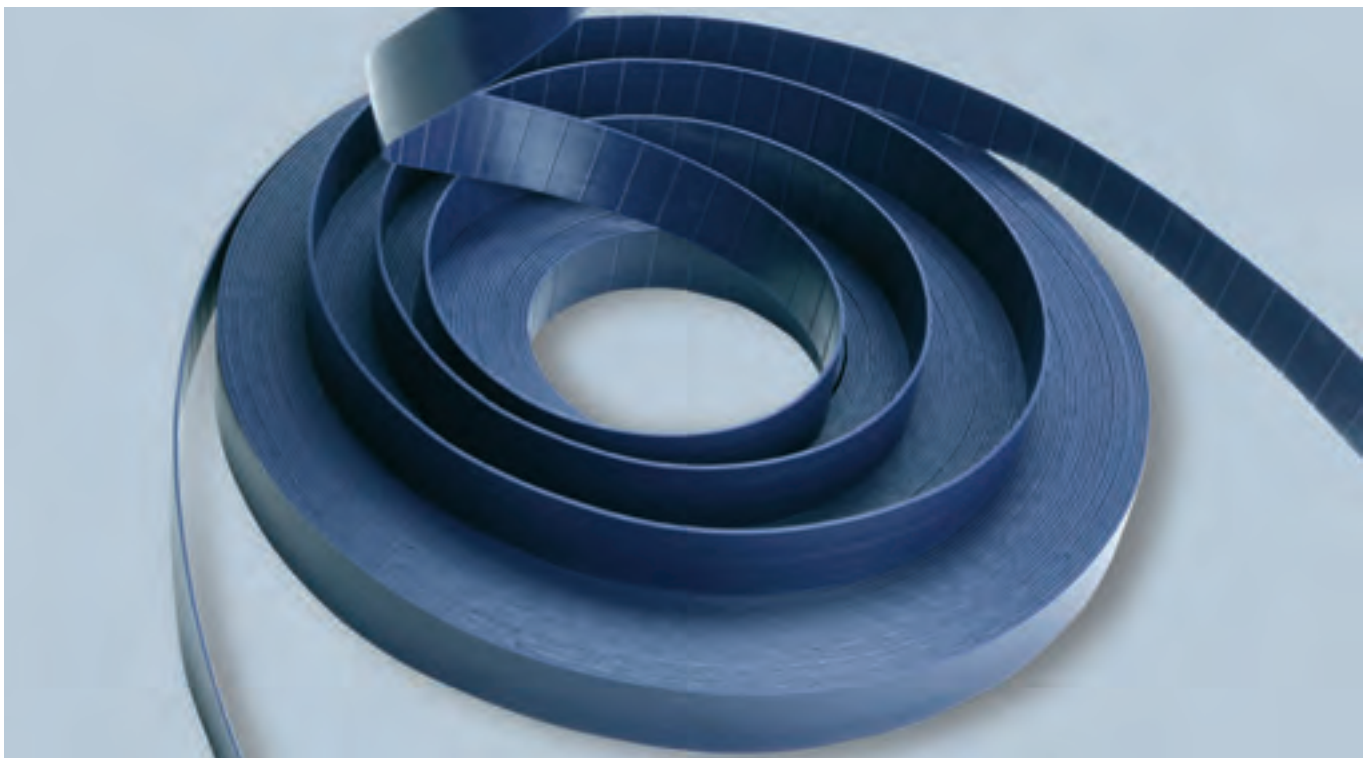
## FLEXION RESISTANCE



	Driver pulley min dia (mm)	Driver pulley min dia (mm)	Idler min dia (mm)	Driver pulley min dia (mm)	Idler min dia (mm)
Standard steel cords P1	16	25	30	16	30
Standard steel cords P2	45	50	90	45	50
Standard steel cords P4	100	110	150	100	100
High Power cords P2	56	62	150	56	80

## JOINED BELT INFORMATIONS

- Minimum splice length 900 mm
- Traction and tooth resistances = 50% less than open-end
- Joined belt can be used only in conveyor systems
- Minimum and standard width are according previous list
- Rolls with NFT and NFB can be joined too
- Minimum diameters according above table
- For coated belts, minimum diameters on page 94



# FIXING PLATES

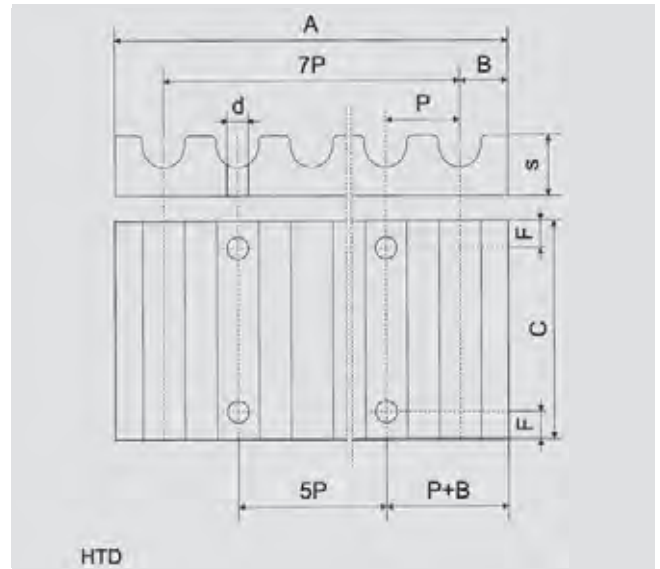
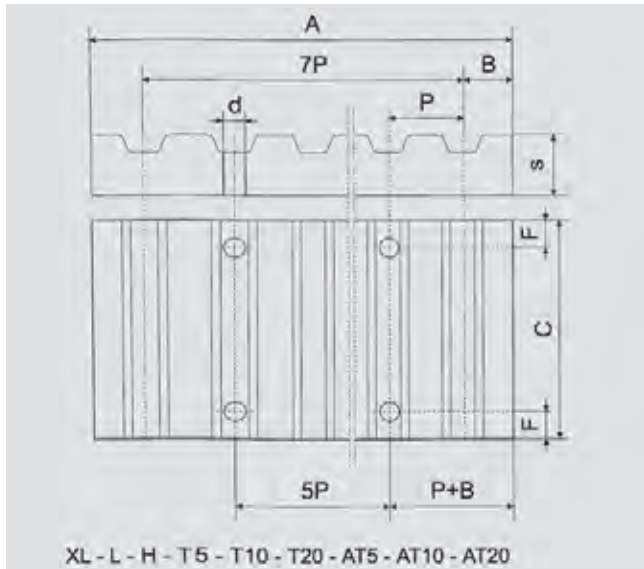
The fixing plates are used to fix the tail of the open belts.

On the customer's request, the plates can be delivered with or without fixing holes.

As the belt can't be stretched with the fixing plates we suggest to use other tension system.

The plates are delivered in aluminium alloy.

The Megadyne Technical Staff is ready to study special or particular applications.



Order code example: AT10 pitch clamping plate for 25 mm width belt

### Clamping plates for imperial pitch belts

Aluminium	Pitch	F	d	B	A	S	Belt width (inches)								
							025	037	050	075	100	150	200	300	400
							C								
• XL	6	5,5	3,5	42,5	8	25,5	28,5	32	38	45					
• L	8	9	5	76,5	15		36	39	45	51,5	64	77			
• H	10	11	9	106,9	22			45	51	57,5	70	83	108	134	

### Clamping plates for HTD pitch belts

Aluminium	Pitch	F	d	B	A	S	Belt width (mm)												
							6	9	10	15	20	25	30	40	50	55	85	115	170
							C												
• 5M	6	5,5	3,25	41,5	8	25	28		34		44								
• 8M	8	9	5	66	15			35	40	45		55		75		110			
• 14M	10	11	9	116	22						56		71		86	116	146	201	

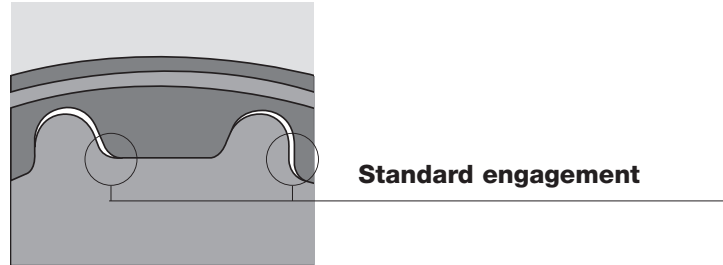
### Clamping plates for metric pitch belts

Aluminium	Pitch	F	d	B	A	S	Belt width (mm)								
							6	10	16	20	25	32	50	75	100
							C								
• T5	6	5,5	3,25	41,65	8	25	29	35	39	44	51	69			
• AT5															
• T10	8	9	5	80	15		35	41		50	57	75	100	125	
• AT10															
• T20	10	11	10	160	20					56	63	81	106	132	
• AT20															

• Available in customized length

# POSITIONING AND TRANSMISSION PRECISION

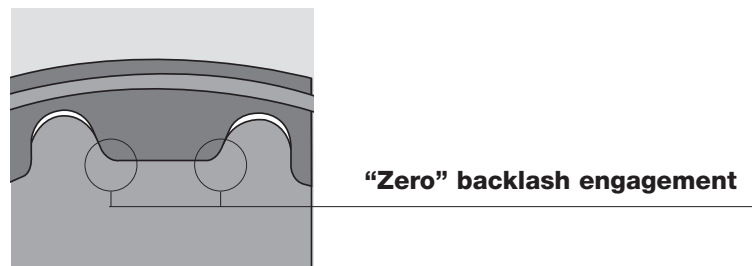
Backlash between belt and pulley teeth is very important for positioning and transmission synchronism.



To improve transmission precision, it is possible to use zero or reduced backlash pulleys. Please note that these pulleys don't reduce the elasticity of belt teeth or cords.

Maximum recommend pulley teeth is:

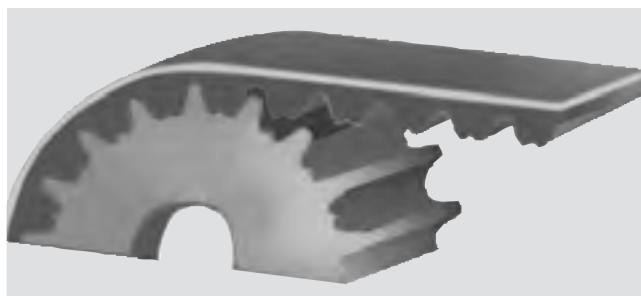
- Till 100 1/min    Z = 40
- Till 500 1/min    Z = 30
- Till 1000 1/min    Z = 20



In following table there is a list of average values for backlashes:

Available pitch for "zero" backlash pulley	T5 XL	T10 L H	T20 XH	AT5	AT10	AT20
Average backlash value for standard	0.6	1.2	2.4	0.2	0.4	0.8

RPP belts and pulleys offer great solution for positioning system because their parabolic profile reduces backlash and improves meshing quality.



# CLEATS

Megadyne timing belts can be customised with profiles vulcanised on the backside. All the cleats are made using the same thermoplastic polyurethane as the MEGALINEAR body (*white PU 92 ShA*).

The profiles are attached with the best technology now available, the High Vibration System.

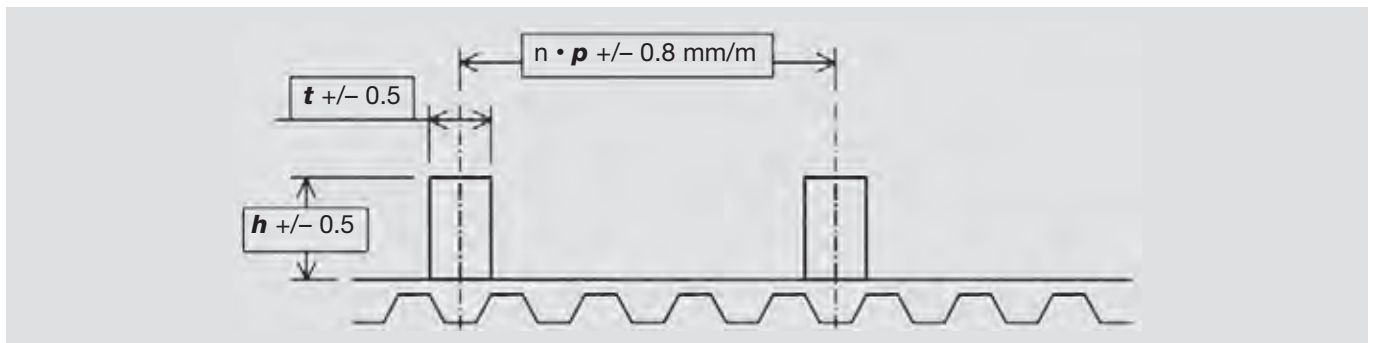
The production process for these profiles is very flexible; Megadyne can design any profile to meet the specific requirement of the customer, in order to check and develop all the needed special profiles.

## STANDARD PARALLELEPIPED PROFILES

Megadyne can produce, as standard cleats, the parallelepiped profiles, starting from a thermoplastic polyurethane strip roll and cutting until the requested profile dimension.

The  $t$  value (thickness) is available from 2 until 13 mm, the  $h$  value (height) can be from 3 until 120 mm and the width can be 150 mm maximum.

Megadyne recommend that the profile spacing were multiple of the belt pitch; in any case, for special inquiries and small quantities, it is possible to weld the profiles also in others positions; the feasible dimensions, with the standard process tolerances, are introduced in the following sketch.



The tolerances on the position are  $\pm 0.5$  mm.

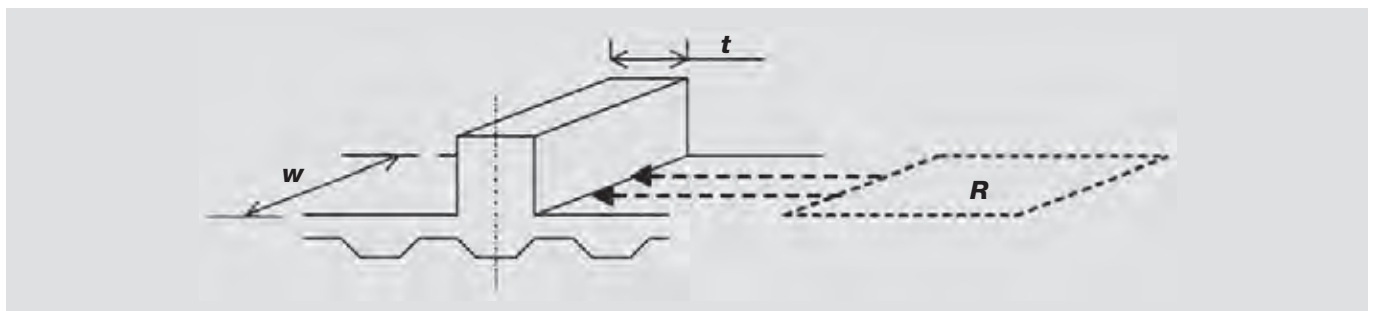
The cumulative tolerance on the spacing of the profiles is the same of the length tolerance for our standard belts ( $\pm 0.8$  mm/m) (tighter tolerances are available on request).

Due to the welding process, a bead of material develops at the meeting point of profile and belt. In any case, Megadyne always remove this welding bead.

## PROFILE MECHANICAL RESISTANCE

In order to find the right cleat dimensions, please consider the following factors:

- Section base cleats resistance ( $R$ ) becomes bigger, increasing:
  - cleats width ( $w$ )
  - cleats thickness ( $t$ )



- Cleat stiffness is bigger:
  - increasing cleat thickness ( $t$ )
  - using special moulded profiles, like STDE0006, STDE0008, STDE0010 and STMI0012 types

## MIN. N° OF PULLEY TEETH FOR BELTS WITH PROFILES

The profiles presence can change the belt flexibility properties; the two factors that affect the original flexibility are the following:

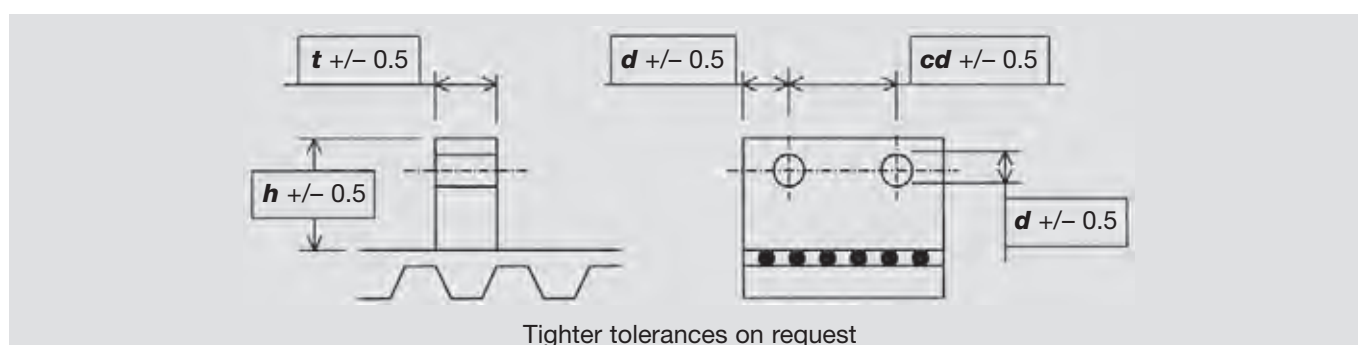
- thickness of the cleat “foot“ (size of the base). Flexibility decreases when welded area dimensions increase
- position of the welded profile on the belt. When the cleats are welded in axis with the teeth, belt flexibility is better than when cleats are welded in axis with the little nose.

Please find, in the following table, flexibility properties for the cleated belts.

MINIMUM NUMBER OF PULLEY TEETH													
CLEATS OVER A TOOTH							CLEATS NOT OVER A TOOTH						
CLEATS THICKNESS	4	5	6	8	10	12	CLEATS THICKNESS	4	5	6	8	10	12
XL	18	18	25	40	50	100	XL	45	45	50	60	100	-
L	12	12	18	30	40	60	L	40	40	45	55	60	80
H	14	14	14	18	25	45	H	25	25	30	45	50	65
XH	18	18	18	28	18	20	XH	20	20	30	40	45	54
T5 / AT5	18	18	25	40	50	100	T5 / AT5	45	45	50	60	100	-
T10 / AT10	14	14	14	18	25	45	T10 / AT10	30	30	40	45	50	65
T20 / AT20	18	18	18	18	18	20	T20 / AT20	20	20	30	40	45	54
RPP5	18	18	25	40	50	100	RPP5	45	45	50	60	100	-
RPP8	14	14	14	18	25	45	RPP8	30	30	40	45	50	65
RPP14	18	18	18	18	18	20	RPP14	20	20	30	40	45	54

## STANDARD PARALLELEPIPED PROFILES WITH HOLES

Parallelepiped profiles are available also with holes, to satisfy specials applications; please find below the standard tolerances for this kind of cleats.



For belt flexibility and mechanical resistance, please kindly refer to values for cleats without holes.

## MOULDED CLEATS

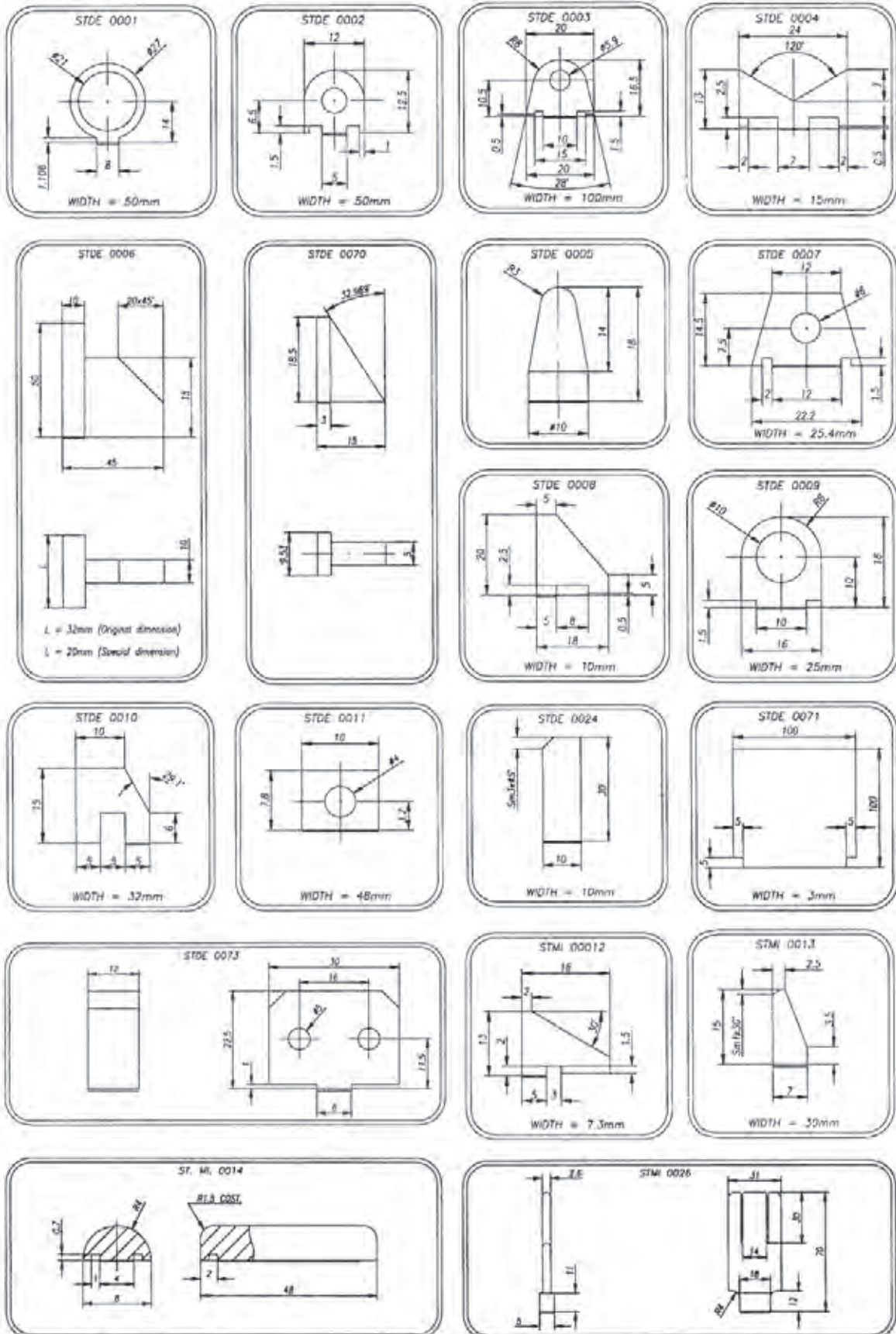
Using an high performance injection system, Megadyne can produce any profile designed by the customer. For cleats not yet present in following pages, Megadyne can produce dedicated mould according customer requirements. For belt flexibility and mechanical resistance, please kindly refer to standard parallelepiped profiles section.

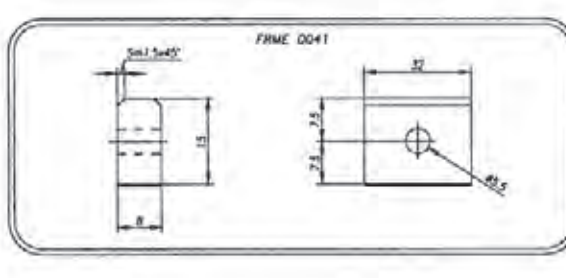
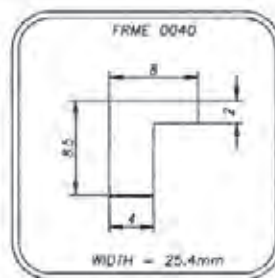
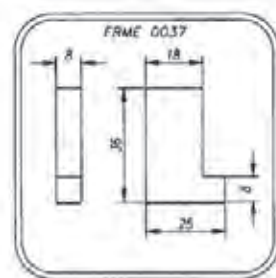
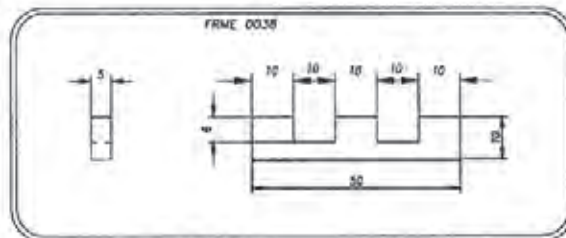
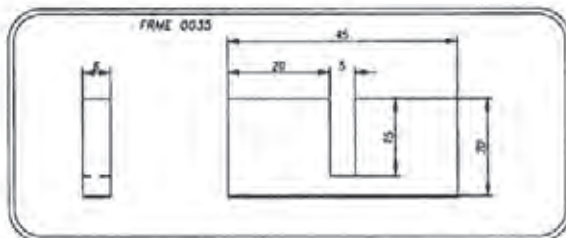
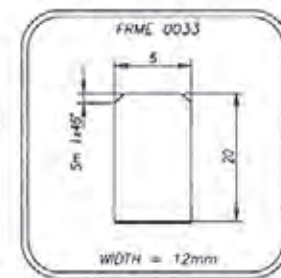
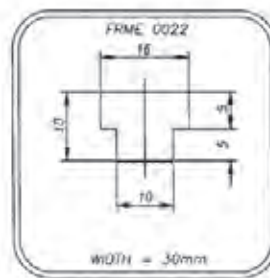
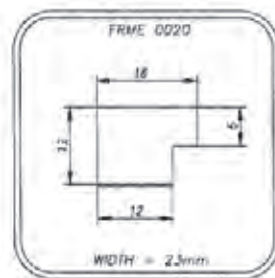
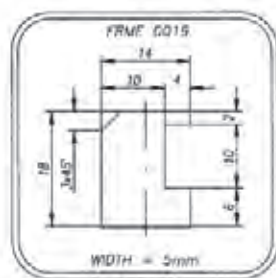
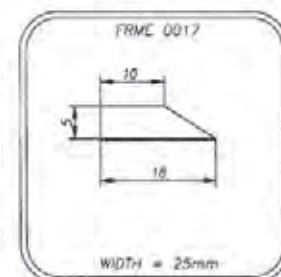
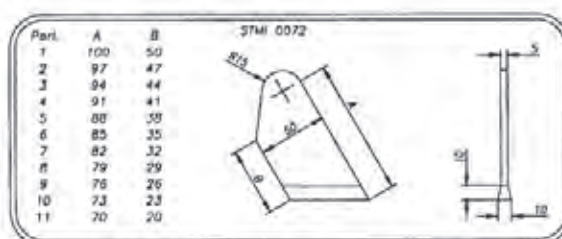
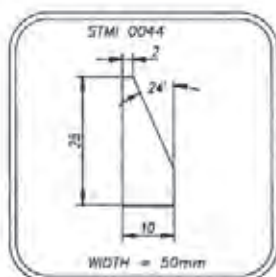
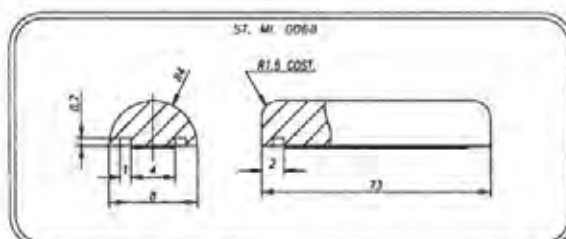
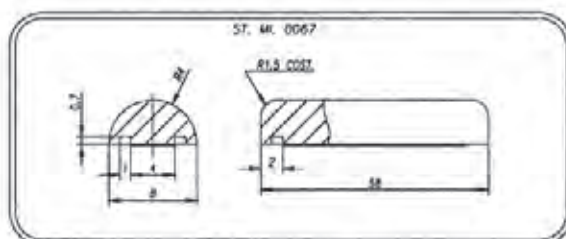
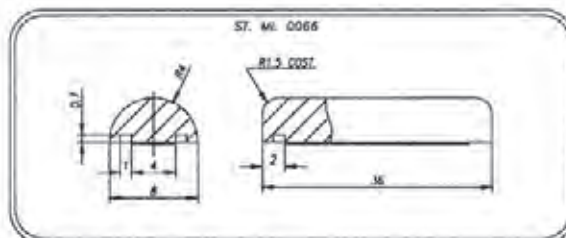
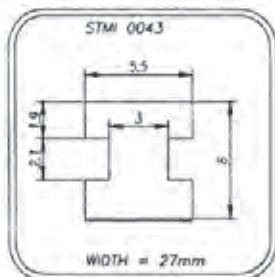
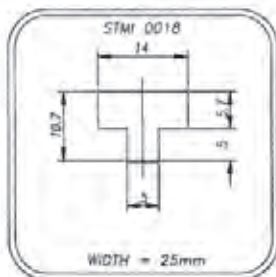


# CLEATS

## SPECIAL CLEATS DRAWING LIST

If the needed cleat wouldn't yet present in the following tables, please contact MEGADYNE staff.

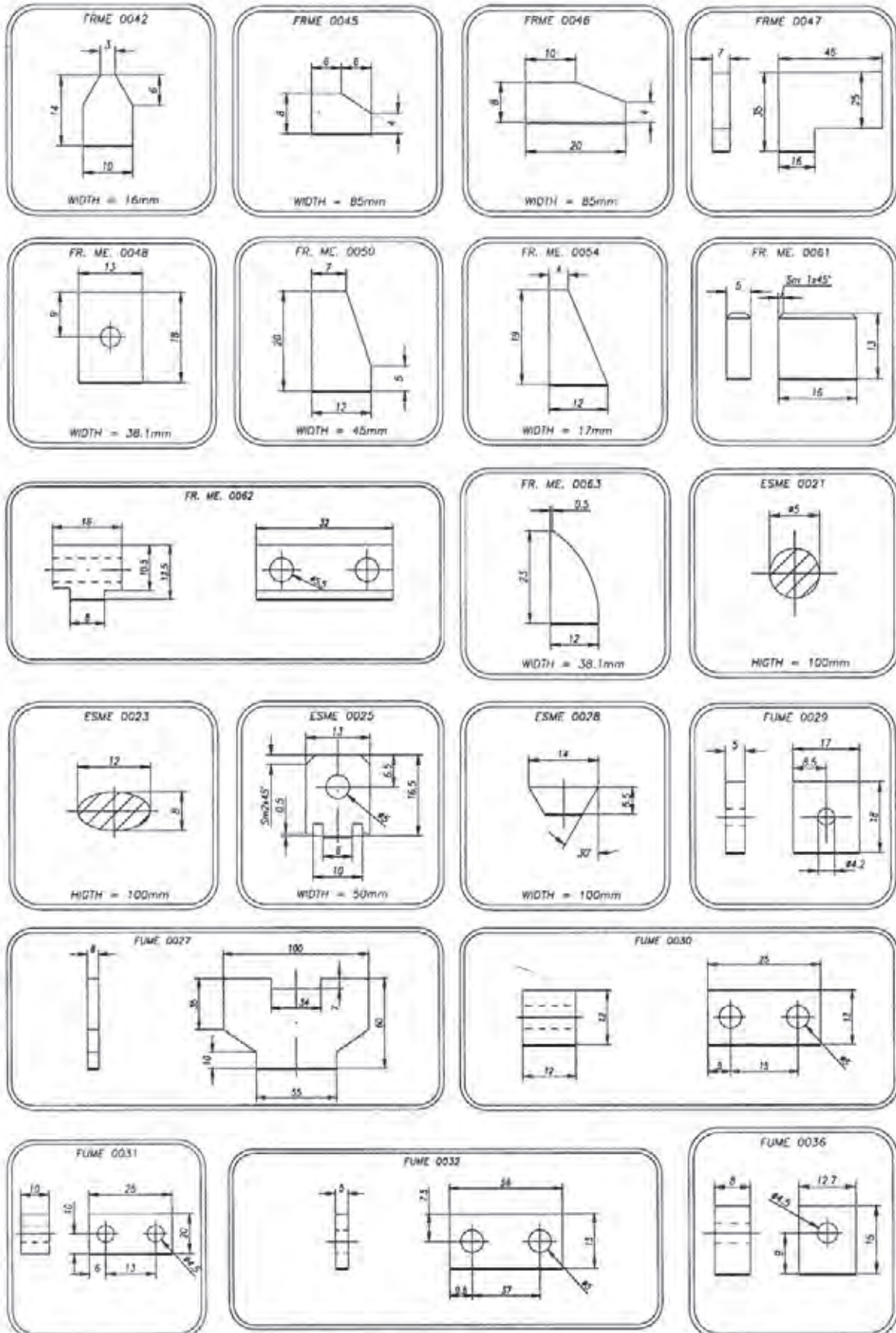




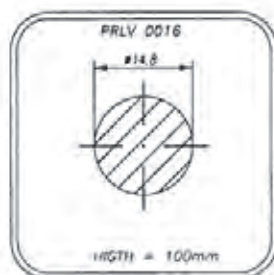
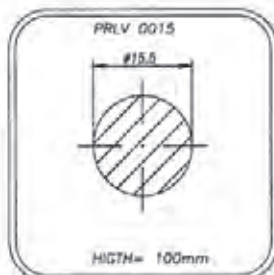
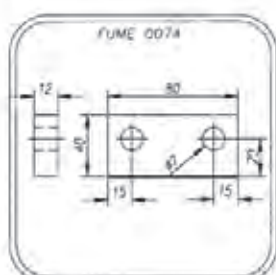
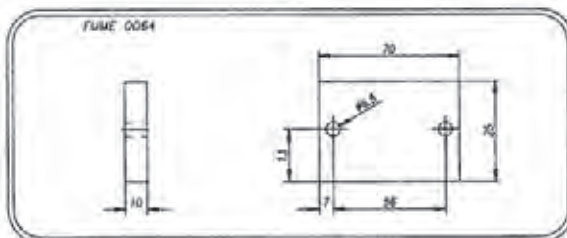
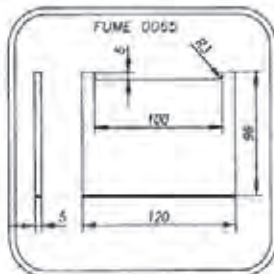
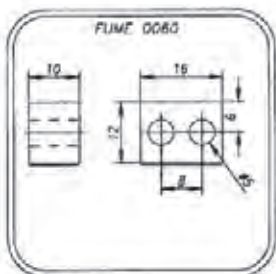
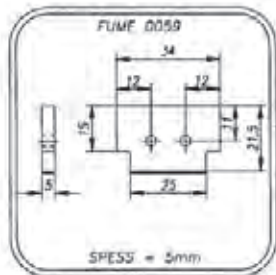
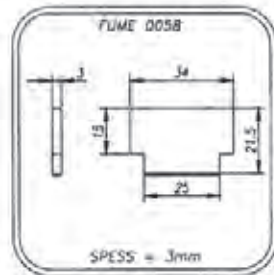
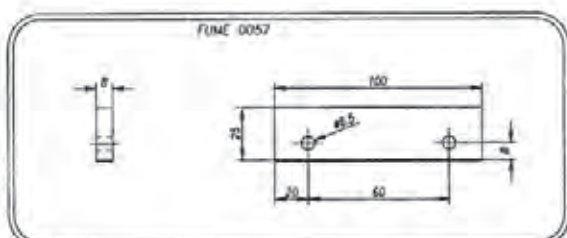
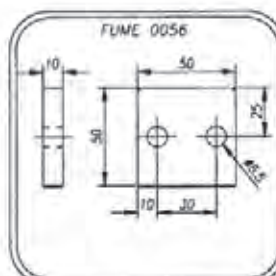
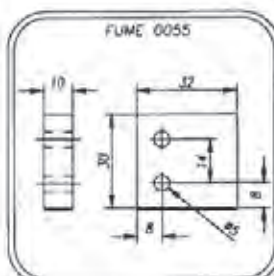
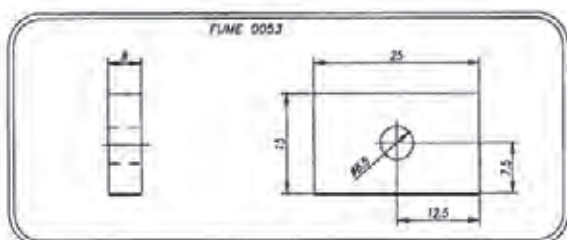
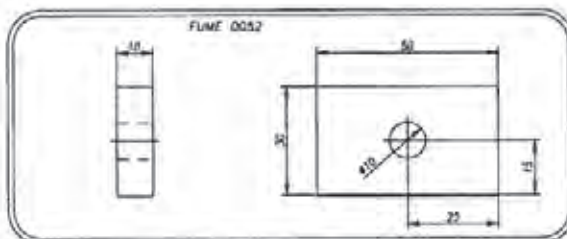
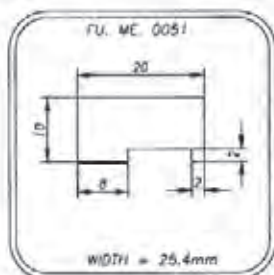
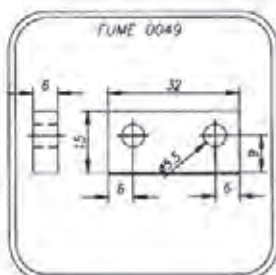
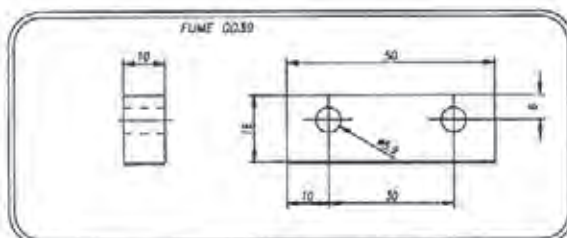
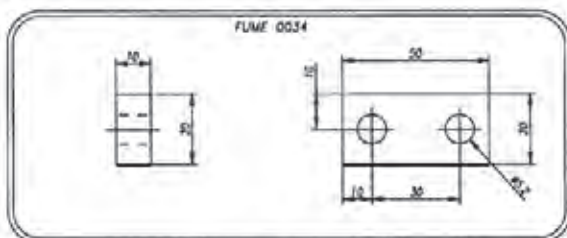
# CLEATS

## SPECIAL CLEATS DRAWING LIST

If the needed cleat wouldn't yet present in the following tables, please contact MEGADYNE staff.







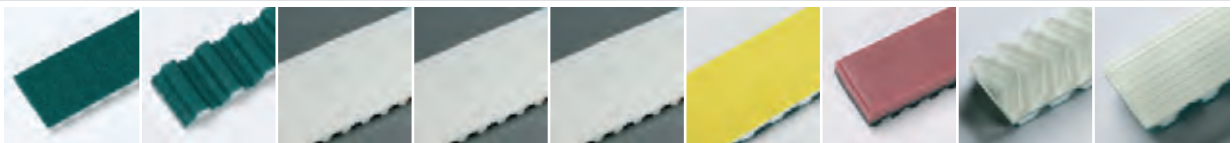
# COVER PROPERTIES

Megalinear belt can be coated with several materials. Those coatings are able to suit Megalineer belts to all applications. Main advantages for using coated belts are: reducing noise and modifying friction in conveying materials. Choice of correct coating depends on application field.

Megadyne is able to supply extruded coated belt, in this case coating method is same as belt production method and cohesion between belt and cover is guaranteed by welding without using glue.

Properties of extruded coating are followings:

	Cover type								
	NFB nylon fabric back	NFT nylon fabric teeth	AVAFC 60	AVAFC 70	AVAFC 85	Foamed polyurethane	APL	Fishbone	Ribbed
<b>Raw material</b>	nylon	nylon	polyurethane	polyurethane	polyurethane	foamed polyurethane	polyurethane/PVC	polyurethane	polyurethane
<b>Hardness (ShA)</b>	-	-	60	70	85	50	55	70	70
<b>Colour</b>	green	green	transparent	transparent	transparent	yellow/grey	red	transparent	transparent
<b>Coating and belt cohesion method</b>	by extrusion	by extrusion	by extrusion	by extrusion	by extrusion	by spray	by extrusion	by extrusion	by extrusion
<b>Thickness range (mm)</b>	-	-	2/3/4	2/3/4	2/3/4	0,5 till 8	3,5	4,3	2,7
<b>Tolerance on coating thickness</b>	-	-	+/- 0,3	+/- 0,3	+/- 0,3	+/- 0,3	+/- 0,3	+/- 0,5	+/- 0,5
<b>Working temperature range (°C)</b>	-20 +80	-20 +80	-20 +80	-20 +80	-20 +80	-20 +60	-20 +60	-20 +80	-20 +80
<b>Friction coefficient <sup>(1)</sup></b>	0,25	0,25	0,65	0,65	0,6	0,4	0,7	0,6	0,6
<b>Water resistance</b>	good	good	very good	very good	very good	good	good	very good	very good
<b>Abrasion resistance</b>	intermediate	intermediate	very good	very good	very good	very good	good	very good	very good
<b>Oil resistance</b>	intermediate	intermediate	very good	very good	very good	very good	good	very good	very good
<b>FDA approved</b>	no	no	no	no	no	no	no	no	no
<b>Min. pulley dia = thickness • ... <sup>(2)</sup></b>	std pulley	std pulley	x 40	x 40	x 40	x 25	x 30	x 30	x 35

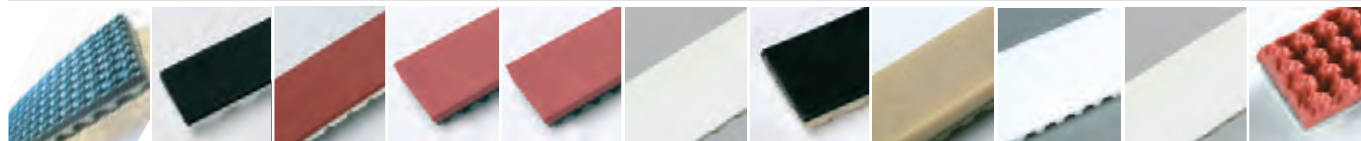


(1) Static Average values for steel guides

(2) Suggested diameter is bigger value between this calculated value and minimum pulley diameter on belt data page

Megalinear belt can be supplied also with vulcanised or glued cover. Their technical properties are listed in following table:

Cover type										
PVC Supergrip	Porol mousse	Linatex	Tenax 40	Tenax Standard	White Rubber for food industry	Neoprene	Gummy Correx ambra parablond	NBR	Hypalon	Honeycomb
PVC	open cell neoprene rubber	natural rubber	natural rubber	natural rubber	synthetic rubber	synthetic rubber	natural rubber	nitrilic rubber	rubber	natural rubber
55	10	42	40	45	70	70	48	70	60	45
green	black	red	red	red	white	gray/black	light brown	white	white	red
by extrusion	by gluing	by gluing	by vulcanization	by vulcanization	by vulcanization	by vulcanization	by vulcanization	by vulcanization	by vulcanization	by gluing
4,5	2 till 15	0,8 till 15	0,8 till 15	0,8 till 15	0,8 till 15	0,8 till 15	0,8 till 15	0,8 till 15	0,8 till 15	4,5 till 15
+/- 0,5	+/- 0,3	+/- 0,3	+/- 0,3	+/- 0,3	+/- 0,3	+/- 0,3	+/- 0,3	+/- 0,3	+/- 0,3	+/- 0,5
-20 +60	-10 +60	-20 +50	-20 +60	-20 +60	0 +120	-10 +100	-20 +60	0 +120	0 +160	-20 +60
0,6	0,7	0,75	0,75	0,7	0,65	0,6	0,6	0,6	0,6	0,6
good	good	very good	very good	very good	good	very good	very good	good	good	very good
good	intermediate	very good	very good	very good	intermediate	good	very good	intermediate	intermediate	very good
good	intermediate	low	low	low	good	good	low	good	good	low
no	no	no	no	no	no	no	no	no	no	no
x 30	x 25	x 30	x 30	x 30	x 35	x 35	x 30	x 35	x 35	x 30



## SPECIAL EXECUTION FEASIBILITY

Megadyne can make special extrusion on customer request to improve belt properties and to suit better to special applications.

### SPECIAL POLYURETHANE

---

On customer request and with minimum quantity, Megalinear belt can be produced with different hardness:

- 85 ShA food quality polyurethane for contact with food and medical products
- 92 ShA higher resistance to temperature
- 92 ShA silicon free for painting system based on water
- 95 ShA glass reinforced
- 98 ShA extra hard polyurethane

### COLOUR

---

On customer request and with a minimum quantity is possible to produce megalinear with several colours.

Different colour doesn't influence belt technical properties so mechanical features are same as standard white belt.

Available colours are: • White • Black • Blue • Yellow • Transparent

### SPECIAL EXTRUSION

---

On customer request, Megadyne R&D department can develop special extruded belts by designing special mould.

It is also possible to extrude standard belt with special cords position, ready for successive reworkings.

### MECHANICAL REWORK

---

Megadyne have been producing specialized belting for many years. Our in-house facilities enable us to produce belt with special holes for vacuum conveyors, belts with special backings / ground finishes for high tolerance applications. We can remove individual teeth and perforate the timing belt as required.

### BACK GRINDING

---

A belt back can be ground to achieve a precise belt thickness as an adjunct to precision drives. When belt back grinding to a tolerance is required, the total thickness, including the tooth, must be specified. A grinding tolerance of +/- 0.2 mm is achievable with a level finish (i.e. thickness will not vary greatly around the belt). Most widths and lengths are available.

### LONGITUDINAL REWORK

---

Longitudinal rework along the belt back is possible on covered and uncovered belts. The profile can be machined precisely for required function. The measurement is given as the depth on the belt back. Most widths and lengths are available.

### REWORK ON BELT TEETH

---

The rework of the tooth profile can be very useful, i.e. improving the steering effect with guide rails. The rework dimension is given from the top of the tooth. Most belt widths and lengths are available.

### HOLES IN TIMING BELTS

---

Holes in timing belts can be for vacuum or air film conveying or as clearance for assembly mechanisms. Stops and cams can be attached through the holes. Customized tooling may be required depending on the layout and dimensions of holes required.

### SINGLE TOOTH REMOVAL

---

Single and multiple tooth removal is available to your requirement, for applications in handling and conveying technology.



# ANTISTATIC POLYURETHANE TIMING BELTS

Megadyne now offers antistatic belts. Under certain conditions, a polyurethane belt may build-up a significant static electric charge. For applications where belts are intended for operation in a potentially explosive atmosphere or near electrical components, polyurethane belts should be sufficiently conductive to dissipate this electrical charge. Belts can be constructed (using proper nylon fabric coating) with a relatively low electrical resistance characteristic and are typically referred to as “static conductive” surface or “antistatic” surface. The test methods for determining the surface resistive properties of a belt are based on ISO 9563, “Belt Drives - Electrical Conductivity of Anti-static Endless Synchronous Belts - Characteristics and Test Method”. The electrical resistance, in ohms, can be found using the test methods in ISO 9563 and the following equation:



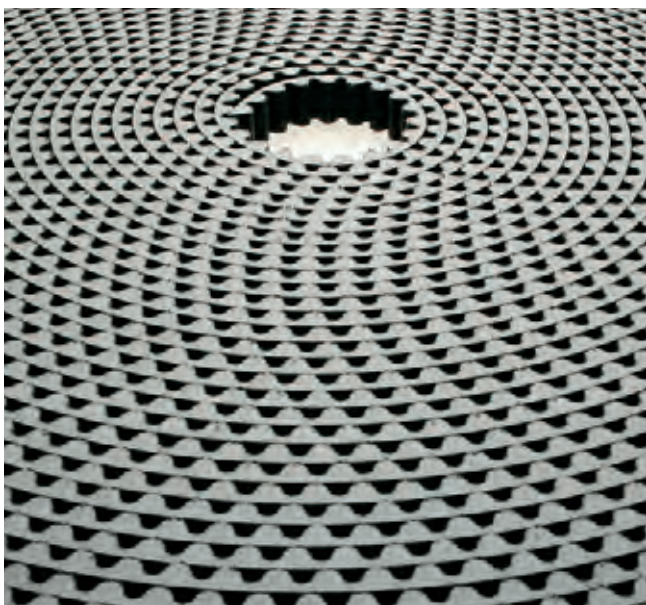
$$\text{Resistance} = \Omega = \frac{(6 \cdot 10^5) \cdot L}{W}$$

where: L = is dry distance between electrodes (minimum suggested: 7 teeth)  
 W = is the width of the belt (inches)  
 Test Voltage = 100 V

Based on this calculation and experimental results, belts can be categorized according to the following table:

	<b>Antistatic (Conductor)</b>	<b>Electric Dissipative</b>	<b>Resistive (Insulator)</b>
Belt Resistivity Range ( $\Omega$ )	$< 6 \cdot 10^5$	$6 \cdot 10^5 < \Omega < 1 \cdot 10^5$	$> 1 \cdot 10^5$

## TYPICAL APPLICATIONS

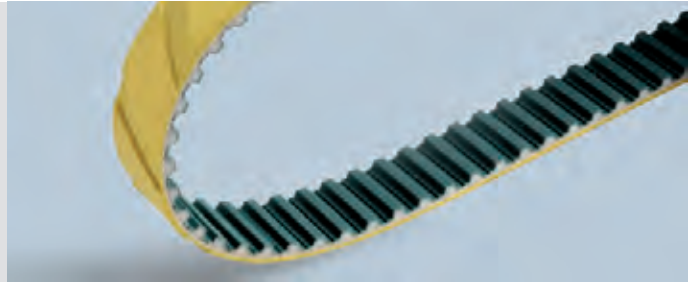


- Conveyance of PC boards or other electronic assemblies
- Semiconductor processing
- Conveying munitions of explosive detonators
- Paper conveying
- Power transmission applications in textile industries
- Chemical environment power transmission or conveying
- Clean room conveyors and power transmissions

## SPECIAL EXECUTION PHOTOS

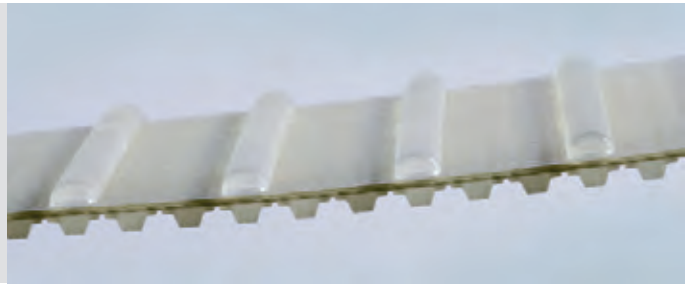
### **Glass industry**

Coating and special grinding on the back allow Megadyne belt to be suitable to all customer applications



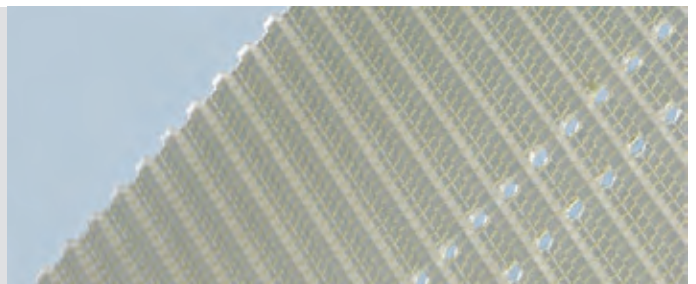
### **Tobacco industry**

Belt with special cleats for tobacco industry



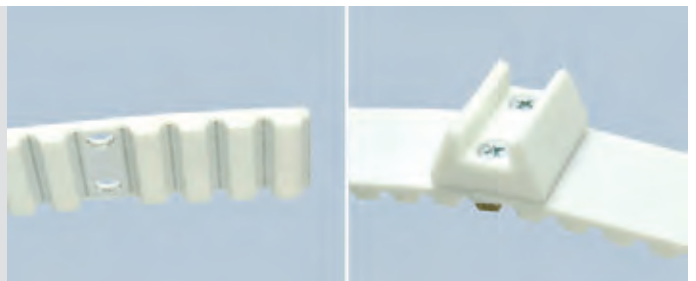
### **Nappy industry**

Wide extruded belt for nappy industry



### **Packaging industry**

Special reworking to install custom made elements



### **Automotive industry**

Belt suitable to convey steel coils and plates due to guides on the back



### **Paper industry**

Special extruded belt for vacuum conveyor application in paper industry



### **Carton industry**

New extruded belt  
for vacuum application  
in carton conveyor industry



### **Conveyor application**

Special coating for conveyor application



### **Automotive industry**

Due to its antistatic properties,  
belt suitable for steel plate conveyor  
in car industry



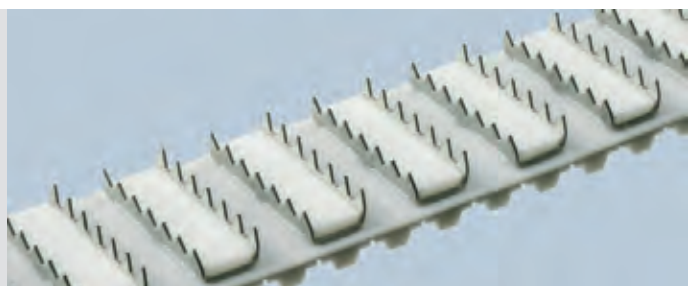
### **Lift industry**

Patented belt  
designed on customer requirement  
for an innovative lift system



### **Fish industry**

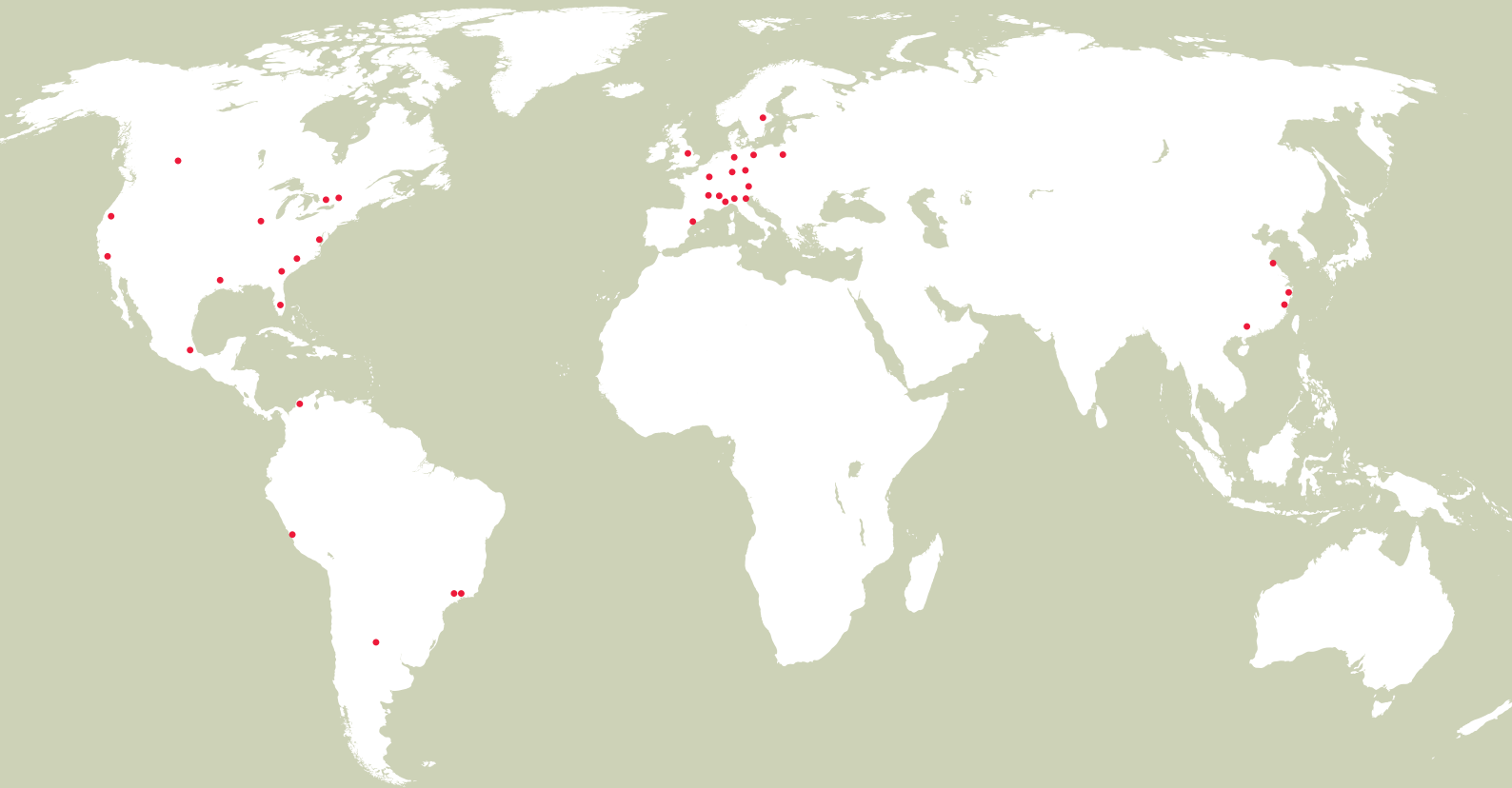
High variety of cleats allow  
Megalinear belts to work  
in several fields



The data given in this catalogue are updated at the day of printing and are not intended as a guarantee: Megadyne S.p.A. reserves the right to modify the characteristic of the belts describe herein without any prior notice.



MEGADYNE S.p.A.  
ITALY - MATHI



**MEGADYNE**



**Jason Industrial Inc.®**  
A MEGADYNE GROUP CO.

**MEGADYNE HEADQUARTER**

Via Trieste 16, 10075  
Mathi (TO) - ITALY  
Ph.: +39 011-926-8052  
mail@megadyne.it  
[www.megadyne.it](http://www.megadyne.it)

**JASON HEADQUARTER**

340 Kaplan Drive  
Fairfield, NJ 07004  
Ph.: +1 973-277-4904  
Fax: +1 973-277-1651  
webrequest@jasonindustrial.com  
[www.jasonindustrial.com](http://www.jasonindustrial.com)

**EUROPE  
MIDDLE EAST  
AFRICA**

MATHI (Italy)\*  
VENICE (Italy)  
MILAN (Italy)\*  
MINSK (Belarus)  
PRAGUE (Czech Republic)  
PARIS (France)\*  
ST. JEANNE DE MAURIENNE (France)\*  
LYON (France)  
BORCHEN (Germany)  
ULM (Germany)\*  
BUDAPEST (Hungary)  
BYDGOSZCZ (Poland)\*  
BARCELONA (Spain)\*  
DUDLEY (U.K.)  
STOCKHOLM (Sweden)

**AMERICAS**

FAIRFIELD, NJ (U.S.A.)  
CAROL STREAM, IL (U.S.A.)  
BELL, CA (U.S.A.)  
TAMPA, FL (U.S.A.)  
IRVING, TX (U.S.A.)  
PORTLAND, OR (U.S.A.)  
CHARLOTTE, NC (U.S.A.)\*  
GREENVILLE, SC (U.S.A.)\*  
DORVAL, Quebec (Canada)  
MISSISSAUGA, Ontario (Canada)  
EDMONTON, Alberta (Canada)  
AZCAPOTZALCO, (Mexico)  
SAO PAULO, (Brasil)  
SOROCABA, (Brasil)  
CARTAGENA, (Colombia)  
CORDOBA, (Argentina)  
LIMA, (Peru)

**ASIA / PACIFIC**

NINGBO (P.R.C.)\*  
QINGDAO (P.R.C.)\*  
SHANGHAI (P.R.C.)  
FOSHAN (P.R.C.)

**\*MANUFACTURING FACILITIES**